

TIPS VENDOR AGREEMENT

Between BK Technologies, Inc. and
(Company Name)

THE INTERLOCAL PURCHASING SYSTEM (TIPS), a Department of Texas Education Service Center Region 8 for **TIPS RFP 211101 Two Way Radio and Wireless Communication**

General Information

The Vendor Agreement (“Agreement”) made and entered into by and between The Interlocal Purchasing System (hereinafter “TIPS”) a government cooperative purchasing program authorized by the Region 8 Education Service Center, having its principal place of business at 4845 US Hwy 271 North, Pittsburg, Texas 75686 and the TIPS Vendor. This Agreement consists of the provisions set forth below, including provisions of all attachments referenced herein. In the event of a conflict between the provisions set forth below and those contained in any attachment, the provisions set forth shall control unless otherwise agreed by the parties in writing and by signature and date on the attachment.

A Purchase Order (“PO”), Agreement or Contract is the TIPS Member’s approval providing the authority to proceed with the negotiated delivery order under the Agreement. Special terms and conditions as agreed between the Vendor and TIPS Member should be added as addendums to the Purchase Order, Agreement or Contract. Items such as certificate of insurance, bonding requirements, small or disadvantaged business goals are some, but not all, of the possible addendums.

Terms and Conditions

Freight

All quotes to Members shall provide a line item for cost for freight or shipping regardless if there is a charge or not. If no charge for freight or shipping, indicate by stating “No Charge”, “\$0”, “included in price” or other similar indication. Otherwise, all shipping, freight or delivery charges shall be passed through to the TIPS Member at cost with no markup and said charges shall be agreed by the TIPS Member unless alternative shipping terms are agreed by TIPS as a result of the proposal award.

Warranty Conditions

All new supplies equipment and services shall include **manufacturer's minimum standard warranty** unless otherwise agreed to in writing. Vendor shall be legally permitted to sell all products offered for sale to TIPS Members if the offering is included in the Request for Proposal (“RFP”) category. All goods proposed and sold shall be new unless clearly stated in writing.

Customer Support

The Vendor shall provide timely and accurate customer support for orders to TIPS Members as agreed by the Parties. Vendors shall respond to such requests within a commercially reasonable time after receipt of the request. If support and/or training is a line item sold or packaged with a sale, support shall be as agreed with the TIPS Member.

Agreements

Agreements for purchase will normally be put into effect by means of a contract, agreement, or purchase order(s) executed by authorized agents of the TIPS Member participating government entities, but other means of placing an order may be used at the Member's discretion. Vendor accepts and understands that when a purchase order or similar purchase document is sent from a customer through TIPS to the Vendor, TIPS is recording the purchase and verifying whether the purchase is within the parameters of the TIPS Contract only. Vendor agrees that TIPS is not a legal party to the purchase order or similar purchase document and TIPS is not responsible for identifying fraud, mistakes, or misrepresentations for the specific order. Vendor agrees that any purchase order or similar purchase document issued from a customer to Vendor, even when processed through TIPS, constitutes a legal contract between the customer and Vendor only. A Vendor that accepts a purchase order or similar purchase document and fulfills an order, even when processed through TIPS, is representing that the vendor has carefully reviewed the purchase order or similar purchase document for legality, authenticity, and accuracy.

Tax exempt status

Most TIPS Members are tax exempt and the related laws and/or regulations of the controlling jurisdiction(s) of the TIPS Member shall apply.

Assignments of Agreements

No assignment of this Agreement may be made without the prior notification of TIPS. Written approval of TIPS shall not be unreasonably withheld. Payment for delivered goods and services can only be made to the awarded Vendor, Vendor designated reseller or vendor assigned company.

Disclosures

- Vendor and TIPS affirm that he/she, or any authorized employees or agents, has not given, offered to give, nor intends to give at any time hereafter any economic opportunity, future employment, gift, loan, gratuity, special discount, trip, favor or service to a public servant in connection with this Agreement.
- Vendor shall attach, in writing, a complete description of any and all relationships that might be considered a conflict of interest in doing business with the TIPS program.
- The Vendor affirms that, to the best of his/her knowledge, the offer has been arrived at independently, and is submitted without collusion with anyone to obtain information or gain any favoritism that would in any way limit competition or give an unfair advantage over other vendors in the award of this Agreement.

Term of Agreement and Renewals

The Agreement with TIPS is for approximately three (3) years with an option for renewal for an additional one (1) consecutive year. If TIPS offers the renewal extension year, the Vendor will be notified by email to the primary contact of the awarded Vendor and shall be deemed accepted by the Vendor unless the awarded Vendor notifies TIPS of its objection to the additional term. TIPS may or may not exercise the available extension(s) provided in the original solicitation beyond the base three-year term. Whether or not to offer the extension is at the sole discretion of TIPS.

“Start Date” for Term Calculation Purposes Only: Regardless of actual award/effective date of Contract, for Agreement “term” calculation purposes only, the Agreement “start date” is the last day of the month that Award Notifications are anticipated as published in the Solicitation

Example: *If the anticipated award date published in the Solicitation is May 22, 2020 but extended negotiations delay award until June 27, 2020 The end date of the resulting initial “three-year” term Agreement, (which is subject to an extension(s)) will still be May 31, 2023.*

“Termination Date”: The scheduled Agreement “termination date” shall be the last day of the month of the month of the Original Solicitation’s Anticipated Award Date plus three years.

Example: *If the original term is approximately three years, and the solicitation provides an anticipated award date of May 22, 2020, the expiration date of the original three-year term shall be May 31, 2023.*

Extensions: Any extensions of the original term shall begin on the next day after the day the original term expires.

Example Following the Previous Example: *If TIPS offers a one-year extension, the expiration of the extended term in the example above shall be May 31, 2024.*

TIPS may offer to extend Vendor Agreements to the fullest extent the original Solicitation permits.

Automatic Renewal Clauses Incorporated in Awarded Vendor Agreements with TIPS Members Resulting from the Solicitation and with the Vendor Named in this Agreement.

No Agreement for goods or services with a TIPS Member by the awarded vendor named in this Agreement that results from the solicitation award named in this Agreement, may incorporate an automatic renewal clause that exceeds month to month terms with which the TIPS Member must comply. All renewal terms incorporated in an Agreement by the vendor with the TIPS Member shall only be valid and enforceable when the vendor receives written confirmation by purchase order, executed Agreement or other written instruction issued by the TIPS Member for any renewal period. The purpose of this clause is to avoid a TIPS Member inadvertently renewing an Agreement during a period in which the governing body of the TIPS Member has not properly appropriated and budgeted the funds to satisfy the Agreement renewal. This term is not negotiable and any Agreement between a TIPS Member and a TIPS awarded vendor with an automatic renewal clause that conflicts with these terms is rendered void and unenforceable.

Shipments

The Vendor shall ship, deliver or provide ordered products or services within a commercially reasonable time after the receipt of the order from the TIPS Member. If a delay in said delivery is anticipated, the Vendor shall notify TIPS Member as to why delivery is delayed and shall provide an estimated time for completion of the order. TIPS or the requesting entity may cancel the order if estimated delivery time is not acceptable or not as agreed by the parties.

Invoices

Each invoice or pay request shall include the TIPS Member’s purchase order number or other identifying designation as provided in the order by the TIPS Member. If applicable, the shipment tracking number or pertinent information for verification of TIPS Member receipt shall be made available upon request.

Payments

The TIPS Member will make payments directly to the Vendor, the Vendor Assigned Dealer or as agreed by the Vendor and the TIPS Member after receiving invoice and in compliance with applicable payment statute(s), whichever is the greater time or as otherwise provided by an agreement of the parties.

Pricing

Price increases will be honored according to the terms of the solicitation. All pricing submitted to TIPS shall include the participation fee, as provided in the solicitation, to be remitted to TIPS by the Vendor. Vendor will not show adding the fee to the invoice presented to TIPS Member customer.

Participation Fees and Reporting of Sales to TIPS by Vendor

The Participation Fee that was published as part of the Solicitation and the fee published is the legally effective fee, along with any fee conditions stated in the Solicitation. Collection of the fees by TIPS is required under Texas Government Code §791.011 Et seq. Fees are due on all TIPS purchases reported by either Vendor or Member. Fees are due to TIPS upon payment by the Member to the Vendor, Reseller or Vendor Assigned Dealer. Vendor, Reseller or Vendor Assigned Dealer agrees that the participation fee is due to TIPS for all Agreement sales immediately upon receipt of payment including partial payment, from the Member Entity and must be paid to TIPS at least on a monthly basis, specifically within 31 calendar days of receipt of payment, if not more frequently, or as otherwise agreed by TIPS in writing and signed by an authorized signatory of TIPS. Thus, when an awarded Vendor, Reseller or Vendor Assigned Dealer receives any amount of payment, even partial payment, for a TIPS sale, the legally effective fee for that amount is immediately due to TIPS from the Vendor and fees due to TIPS should be paid at least on a monthly basis, specifically within 31 calendar days of receipt of payment, if not more frequently.

Reporting of Sales to TIPS by Vendor

Vendor is required to report all sales under the TIPS contract to TIPS. When a public entity initiates a purchase with a TIPS Awarded Vendor, if the Member inquires verbally or in writing whether the Vendor holds a TIPS Contract, it is the duty of the Vendor to verify whether or not the Member is seeking a TIPS purchase. Once verified, the Vendor must include the TIPS Contract number on any communications and related sales documents exchanged with the TIPS Member entity. To report sales, the Vendor must login to the TIPS Vendor Portal online at https://www.tips-usa.com/vendors_form.cfm and click on the PO's and Payments tab. Pages 3-7 of the [Vendor Portal User Guide](#) will walk you through the process of reporting sales to TIPS. Please refer to the TIPS [Accounting FAQ's](#) for more information about reporting sales and if you have further questions, contact the Accounting Team at accounting@tips-usa.com. The Vendor or vendor assigned dealers are responsible for keeping record of all sales that go through the TIPS Agreement and submitting same to TIPS. Failure to render the participation fee to TIPS shall constitute a breach of this agreement with our parent governmental entity, Texas Education Service Center Region 8, as established by the Texas legislature and shall be grounds for termination of this agreement and any other agreement held with TIPS and possible legal action. Any overpayment of participation fees to TIPS by a Vendor will be refunded to the Vendor within ninety (90) days of receipt of notification if TIPS receives written notification of the overpayment not later than the expiration of six (6) months from the date of overpayment and TIPS determines that the amount was not legally due to TIPS pursuant to this agreement and applicable law. It is the Vendor's responsibility to identify which sales are TIPS Agreement sales and pay the correct participation fee due for TIPS Agreement sales. Any notification of overpayment received by TIPS after the expiration of six (6) months from the date of overpayment will be non-refundable. Region 8 ESC and TIPS reserve the right to extend the six (6) month deadline to notify if approved by the Region 8 ESC Board of Directors. TIPS reserves all rights under the law to collect the fees due. Please contact TIPS at tips@tips-usa.com or call (866) 839-8477 if you have questions about paying fees.

Indemnity

The Vendor agrees to indemnify and hold harmless and defend TIPS, TIPS Member(s), officers and employees from and against all claims and suits by third parties for damages, injuries to persons (including death),

property damages, losses, and expenses including court costs and reasonable attorney's fees, arising out of, or resulting from, Vendor's performance under this Agreement, including all such causes of action based upon common, constitutional, or statutory law, or based in whole or in part, upon allegations of negligent or intentional acts on the part of the Vendor, its officers, employees, agents, subcontractors, licensees, or invitees. Parties found liable shall pay their proportionate share of damages as agreed by the parties or as ordered by a court of competent jurisdiction over the case. **NO LIMITATION OF LIABILITY FOR DAMAGES FOR PERSONAL INJURY OR PROPERTY DAMAGE ARE PERMITTED OR AGREED BY TIPS/ESC REGION 8.** Per Texas Education Code §44.032(f), and pursuant to its requirements only, reasonable Attorney's fees are recoverable by the prevailing party in any dispute resulting in litigation.

State of Texas Franchise Tax

By signature hereon, the Vendor hereby certifies that he/she is not currently delinquent in the payment of any franchise taxes owed the State of Texas under Chapter 171, Tax Code.

Miscellaneous

The Vendor acknowledges and agrees that continued participation in TIPS is subject to TIPS sole discretion and that any Vendor may be removed from the participation in the Program at any time with or without cause. Nothing in the Agreement or in any other communication between TIPS and the Vendor may be construed as a guarantee that TIPS or TIPS Members will submit any orders at any time. TIPS reserves the right to request additional proposals for items or services already on Agreement at any time.

Purchase Order Pricing/Product Deviation

If a deviation of pricing/product on a Purchase Order or contract modification occurs between the Vendor and the TIPS Member, TIPS must be notified within five (5) business days of receipt of change order.

Termination for Convenience of TIPS Agreement Only

TIPS reserves the right to terminate this agreement for cause or no cause for convenience with a thirty (30) days prior written notice. Termination for convenience is conditionally required under Federal Regulations 2 CFR part 200 if the customer is using federal funds for the procurement. All purchase orders presented to the Vendor, but not fulfilled by the Vendor, by a TIPS Member prior to the actual termination of this agreement shall be honored at the option of the TIPS Member. The awarded Vendor may terminate the agreement with ninety (90) days prior written notice to TIPS 4845 US Hwy North, Pittsburg, Texas 75686. The vendor will be paid for goods and services delivered prior to the termination provided that the goods and services were delivered in accordance with the terms and conditions of the terminated agreement. This termination clause does not affect the sales agreements executed by the Vendor and the TIPS Member customer pursuant to this agreement. TIPS Members may negotiate a termination for convenience clause that meets the needs of the transaction based on applicable factors, such as funding sources or other needs.

TIPS Member Purchasing Procedures

Usually, purchase orders or their equal are issued by participating TIPS Member to the awarded vendor and should indicate on the order that the purchase is per the applicable TIPS Agreement Number. Orders are typically emailed to TIPS at tipspo@tips-usa.com.

- Awarded Vendor delivers goods/services directly to the participating member.
- Awarded Vendor invoices the participating TIPS Member directly.
- Awarded Vendor receives payment directly from the participating member.
- Fees are due to TIPS upon payment by the Member to the Vendor. Vendor agrees to pay the participation fee to TIPS for all Agreement sales upon receipt of payment including partial payment, from

the Member Entity or as otherwise agreed by TIPS in writing and signed by an authorized signatory of TIPS.

Licenses

Awarded Vendor shall maintain, in current status, all federal, state and local licenses, bonds and permits required for the operation of the business conducted by awarded Vendor. Awarded Vendor shall remain reasonably fully informed of and in compliance with all ordinances and regulations pertaining to the lawful provision of goods or services under the Agreement. TIPS and TIPS Members reserves the right to stop work and/or cancel an order or terminate this or any other sales Agreement of any awarded Vendor whose license(s) required for performance under this Agreement have expired, lapsed, are suspended or terminated subject to a 30-day cure period unless prohibited by applicable statute or regulation.

Novation

If awarded Vendor sells or transfers all assets, rights or the entire portion of the assets or rights required to perform this Agreement, a successor in interest must guarantee to perform all obligations under this Agreement. A simple change of name agreement will not change the Agreement obligations of awarded vendor. TIPS will consider Contract Assignments on a case by case basis. TIPS must be notified within five (5) business days of the transfer of assets or rights.

Site Requirements (*only when applicable to service or job*)

Cleanup: When performing work on site at a TIPS Member's property, awarded Vendor shall clean up and remove all debris and rubbish resulting from their work as required or directed by TIPS Member or as agreed by the parties. Upon completion of work, the premises shall be left in good repair and an orderly, neat, clean and unobstructed condition.

Preparation: Awarded Vendor shall not begin a project for which TIPS Member has not prepared the site, unless awarded Vendor does the preparation work at no cost, or until TIPS Member includes the cost of site preparation in a purchase order. Site preparation includes, but is not limited to: moving furniture, installing wiring for networks or power, and similar pre-installation requirements.

Registered sex offender restrictions: For work to be performed at schools, awarded Vendor agrees that no employee of a subcontractor who has been adjudicated to be a registered sex offender will perform work at any time when students are, or reasonably expected to be, present unless otherwise agreed by the TIPS Member. Awarded Vendor agrees that a violation of this condition shall be considered a material breach and may result in the cancellation of the purchase order at the TIPS Member's discretion. Awarded Vendor must identify any additional costs associated with compliance of this term. If no costs are specified, compliance with this term will be provided at no additional charge. **Safety measures:** Awarded Vendor shall take all reasonable precautions for the safety of employees on the worksite, and shall erect and properly maintain all necessary safeguards for protection of workers and the public. Awarded Vendor shall post warning signs against all hazards created by the operation and work in progress. Proper precautions shall be taken pursuant to state law and standard practices to protect workers, general public and existing structures from injury or damage.

Safety Measures

Awarded Vendor shall take all reasonable precautions for the safety of employees on the worksite, and shall erect and properly maintain all necessary safeguards for protection of workers and the public. Awarded vendor shall post warning signs against all hazards created by the operation and work in progress. Proper precautions shall be taken pursuant to state law and standard practices to protect workers, general public and existing structures from injury or damage.

Smoking

Persons working under Agreement shall adhere to the TIPS Member's or local smoking statutes, codes or policies.

Marketing

Awarded Vendor agrees to allow TIPS to use their name and logo within TIPS website, marketing materials and advertisement subject to any reasonable restrictions provided to TIPS in the Proposal to the Solicitation. The Vendor may submit an acceptable use directive for Vendor's names and logos with which TIPS agrees to comply. Any use of TIPS name and logo or any form of publicity, inclusive of press release, regarding this Agreement by awarded vendor must have prior approval from TIPS which will not be unreasonably withheld. Request may be made by email to TIPS@TIPS-USA.COM.

Supplemental Agreements

The TIPS Member entity participating in the TIPS Agreement and awarded Vendor may enter into a separate Supplemental Agreement or contract to further define the level of service requirements over and above the minimum defined in this Agreement such as but not limited to, invoice requirements, ordering requirements, specialized delivery, etc. Any Supplemental Agreement or contract developed as a result of this Agreement is exclusively between the TIPS Member entity customer and the Vendor. TIPS, its agents, TIPS Members and employees not a party to the Supplemental Agreement with the TIPS Member customer, shall not be made party to any claim for breach of such agreement unless named and agreed by the Party in question in writing in the agreement. If a Vendor submitting a Proposal requires TIPS and/or TIPS Member to sign an additional agreement, those agreements shall comply with the award made by TIPS to the Vendor. Supplemental Vendor's Agreement documents may not become part of TIPS' Agreement with Vendor unless and until an authorized representative of TIPS reviews and approves it. TIPS review and approval may be at any time during the life of this Vendor Agreement. TIPS permits TIPS Members to negotiate additional terms and conditions with the Vendor for the provision of goods or services under the Vendor's TIPS Agreement so long as they do not materially conflict with this Agreement.

Survival Clause

All applicable sales, leases, Supplemental Agreements, contracts, software license agreements, warranties or service agreements that were entered into between Vendor and TIPS or the TIPS Member Customer under the terms and conditions of this Agreement shall survive the expiration or termination of this Agreement. All Orders, Purchase Orders issued or contracts executed by TIPS or a TIPS Member and accepted by the Vendor prior to the expiration or termination of this agreement, shall survive expiration or termination of the Agreement, subject to previously agreed terms and conditions agreed by the parties or as otherwise specified herein relating to termination of this agreement.

Legal obligations

It is the responding Vendor's responsibility to be aware of and comply with all local, state and federal laws governing the sale of products/services identified in the applicable Solicitation that resulted in this Vendor Agreement and any awarded Agreement thereof. Applicable laws and regulations must be followed even if not specifically identified herein.

Audit rights

Due to transparency statutes and public accountability requirements of TIPS and TIPS Members', the awarded Vendor shall, at their sole expense, maintain appropriate due diligence of all purchases made by TIPS Member that utilizes this Agreement. TIPS and Region 8 ESC each reserve the right to audit the accounting of TIPS related purchases for a period of three (3) years from the time such purchases are made. This audit right shall survive termination of this Agreement for a period of one (1) year from the effective

date of termination. In order to ensure and confirm compliance with this agreement, TIPS shall have authority to conduct audits of Awarded Vendor's pricing or TIPS transaction documentation with TIPS Members with 30 days' notice unless the audit is ordered by a Court Order or by a Government Agency with authority to do so without notice. Notwithstanding the foregoing, in the event that TIPS is made aware of any pricing being offered to eligible entities that is materially inconsistent with the pricing under this agreement, TIPS shall have the ability to conduct the audit internally or may engage a third-party auditing firm to investigate any possible non-compliant conduct or may terminate the Agreement according to the terms of this Agreement. In the event of an audit, the requested materials shall be reasonably provided in the time, format and at the location acceptable to Region 8 ESC or TIPS. TIPS agrees not to perform a random audit the TIPS transaction documentation more than once per calendar year, but reserves the right to audit for just cause or as required by any governmental agency or court with regulatory authority over TIPS or the TIPS Member.

Force Majeure

If by reason of Force Majeure, either party hereto shall be rendered unable wholly or in part to carry out its obligations under this Agreement then such party shall give notice and full particulars of Force Majeure in writing to the other party within a reasonable time after occurrence of the event or cause relied upon, and the obligation of the party giving such notice, so far as it is affected by such Force Majeure, shall be suspended during the continuance of the inability then claimed, except as hereinafter provided, but for no longer period, and such party shall endeavor to remove or overcome such inability with all reasonable dispatch.

Choice of Law

The Agreement between the Vendor and TIPS/ESC Region 8 and any addenda or other additions resulting from this procurement process, however described, shall be governed by, construed and enforced in accordance with the laws of the State of Texas, regardless of any conflict of laws principles.

Venue, Jurisdiction and Service of Process

Any Proceeding arising out of or relating to this procurement process or any contract issued by TIPS resulting from or any contemplated transaction shall be brought in a court of competent jurisdiction in Camp County, Texas and each of the parties irrevocably submits to the exclusive jurisdiction of said court in any such proceeding, waives any objection it may now or hereafter have to venue or to convenience of forum, agrees that all claims in respect of the Proceeding shall be heard and determined only in any such court, and agrees not to bring any proceeding arising out of or relating to this procurement process or any contract resulting from or any contemplated transaction in any other court. The parties agree that either or both of them may file a copy of this paragraph with any court as written evidence of the knowing, voluntary and freely bargained for agreement between the parties irrevocably to waive any objections to venue or to convenience of forum. Process in any Proceeding referred to in the first sentence of this Section may be served on any party anywhere in the world. Venue for any dispute resolution process, other than litigation, between TIPS and the Vendor shall be located in Camp or Titus County, Texas.

Project Delivery Order Procedures

The TIPS Member having approved and signed an interlocal agreement, or other TIPS Membership document, may make a request of the awarded Vendor under this Agreement when the TIPS Member desires goods or services awarded to the Vendor. Notification may occur via phone, the web, courier, email, fax, or in person. Upon notification of a pending request, the awarded Vendor shall acknowledge the TIPS Member's request as soon as possible, but must make contact with the TIPS Member within two working days.

Status of TIPS Members as Related to This Agreement

TIPS Members stand in the place of TIPS as related to this agreement and have the same access to the proposal information and all related documents. TIPS Members have all the same rights under the awarded Agreement as TIPS.

Vendor's Resellers as Related to This Agreement

Vendor's Named Resellers ("Resellers") under this Agreement shall comply with all terms and conditions of this agreement and all addenda or incorporated documents. All actions related to sales by Authorized Vendor's Resellers under this Agreement are the responsibility of the awarded Vendor. If Resellers fail to report sales to TIPS under your Agreement, the awarded Vendor is responsible for their contractual failures and shall be billed for the fees. The awarded Vendor may then recover the fees from their named reseller.

Support Requirements

If there is a dispute between the awarded Vendor and TIPS Member, TIPS or its representatives may, at TIPS sole discretion, assist in conflict resolution if requested by either party. TIPS, or its representatives, reserves the right to inspect any project and audit the awarded Vendor's TIPS project files, documentation and correspondence related to the requesting TIPS Member's order. If there are confidentiality requirements by either party, TIPS shall comply to the extent permitted by law.

Incorporation of Solicitation

The TIPS Solicitation which resulted in this Vendor Agreement, whether a Request for Proposals, the Request for Competitive Sealed Proposals or Request for Qualifications solicitation, or other, the Vendor's response to same and all associated documents and forms made part of the solicitation process, including any addenda, are hereby incorporated by reference into this Agreement as if copied verbatim.

SECTION HEADERS OR TITLES

THE SECTION HEADERS OR TITLES WITHIN THIS DOCUMENT ARE MERELY GUIDES FOR CONVENIENCE AND ARE NOT FOR CLASSIFICATION OR LIMITING OF THE RESPONSIBILITIES OF THE PARTIES TO THIS DOCUMENT.

STATUTORY REQUIREMENTS

Texas governmental entities are prohibited from doing business with companies that fail to certify to this condition as required by Texas Government Code Sec. 2270.

By executing this agreement, you certify that you are authorized to bind the undersigned Vendor and that your company (1) does not boycott Israel; and (2) will not boycott Israel during the term of the Agreement.

You certify that your company is not listed on and does not and will not do business with companies that are on the Texas Comptroller of Public Accounts list of Designated Foreign Terrorists Organizations per Texas Gov't Code 2270.0153 found at <https://comptroller.texas.gov/purchasing/docs/foreign-terrorist.pdf>

You certify that if the certified statements above become untrue at any time during the life of this Agreement that the Vendor will notify TIPS within three (3) business day of the change by a letter on Vendor's letterhead from and signed by an authorized representative of the Vendor stating the non-compliance decision and the TIPS Agreement number and description at:

Attention: General Counsel

ESC Region 8/The Interlocal Purchasing System (TIPS)
4845 Highway 271 North
Pittsburg, TX,75686
And by an email sent to bids@tips-usa.com

Insurance Requirements

The undersigned Vendor agrees to maintain the below minimum insurance requirements for TIPS Contract Holders:

General Liability	\$1,000,000 each Occurrence/ Aggregate
Automobile Liability	\$300,000 Includes owned, hired & non-owned
Workers' Compensation	Statutory limits for the jurisdiction in which the Vendor performs under this Agreement.
Umbrella Liability	\$1,000,000

When the Vendor or its subcontractors are liable for any damages or claims, the Vendor’s policy, when the Vendor is responsible for the claim, must be primary over any other valid and collectible insurance carried by the Member. Any immunity available to TIPS or TIPS Members shall not be used as a defense by the contractor's insurance policy. The coverages and limits are to be considered minimum requirements and in no way limit the liability of the Vendor(s). Insurance shall be written by a carrier with an A-; VII or better rating in accordance with current A.M. Best Key Rating Guide. Only deductibles applicable to property damage are acceptable, unless proof of retention funds to cover said deductibles is provided. "Claims made" policies will not be accepted. Vendor’s required minimum coverage shall not be suspended, voided, cancelled, non-renewed or reduced in coverage or in limits unless replaced by a policy that provides the minimum required coverage except after thirty (30) days prior written notice by certified mail, return receipt requested has been given to TIPS or the TIPS Member if a project or pending delivery of an order is ongoing. Upon request, certified copies of all insurance policies shall be furnished to the TIPS or the TIPS Member.

Special Terms and Conditions

- **Orders:** All Vendor orders received from TIPS Members must be emailed to TIPS at tipspo@tips-usa.com. Should a TIPS Member send an order directly to the Vendor, it is the Vendor’s responsibility to forward a copy of the order to TIPS at the email above within 3 business days and confirm its receipt with TIPS.
- **Vendor Encouraging Members to bypass TIPS agreement:** Encouraging TIPS Members to purchase directly from the Vendor or through another agreement, when the Member has requested using the TIPS cooperative Agreement or price, and thereby bypassing the TIPS Agreement is a violation of the terms and conditions of this Agreement and will result in removal of the Vendor from the TIPS Program.
- **Order Confirmation:** All TIPS Member Agreement orders are approved daily by TIPS and sent to the Vendor. The Vendor should confirm receipt of orders to the TIPS Member (customer) within 3 business days.
- **Vendor custom website for TIPS:** If Vendor is hosting a custom TIPS website, updated pricing when effective. TIPS shall be notified when prices change in accordance with the award.
- **Back Ordered Products:** If product is not expected to ship within the time provided to the TIPS

Member by the Vendor, the Member is to be notified within 3 business days and appropriate action taken based on customer request.

The TIPS Vendor Agreement Signature Page is inserted here.

TIPS Vendor Agreement Signature Form

RFP 211101 Two Way Radio and Wireless Communication

Company Name BK Technologies, Inc.

Address 7100 Technology Drive

City West Melbourne State FL Zip 32904

Phone 321-237-1306 Fax _____

Email of Authorized Representative contracts@bktechnologies.com

Name of Authorized Representative Carolyn French

Title Contract Administrator


Signature of Authorized Representative 

Date 12/10/2021

TIPS Authorized Representative Name David Fitts

Title Executive Director

TIPS Authorized Representative Signature 

Approved by ESC Region 8 

Date 1/27/2022

NOTICE TO MEMBERS REGARDING ATTRIBUTE RESPONSES

TIPS VENDORS RESPOND TO ATTRIBUTE QUESTIONS AS PART OF TIPS COMPETITIVE SOLICITATION PROCESS. THE VENDOR'S RESPONSES TO ATTRIBUTE QUESTIONS ARE INCLUDED HEREIN AS "SUPPLIER RESPONSE." PLEASE BE ADVISED THAT DEVIATIONS, IF ANY, IN VENDOR'S RESPONSE TO ATTRIBUTE QUESTIONS MAY NOT REFLECT VENDOR'S FINAL ATTRIBUTE RESPONSE, WHICH IS SUBJECT TO NEGOTIATIONS PRIOR TO AWARD. PLEASE CONTACT THE TIPS OFFICE AT 866-839-8477 WITH QUESTIONS OR CONCERNS REGARDING VENDOR ATTRIBUTE RESPONSE DEVIATIONS. PLEASE KEEP IN MIND THAT TIPS DOES NOT PROVIDE LEGAL COUNSEL TO MEMBERS. TIPS RECOMMENDS THAT YOU CONSULT YOUR LEGAL COUNSEL WHEN EXECUTING CONTRACTS WITH OR MAKING PURCHASES FROM TIPS VENDORS.



211101

**BK Technologies
Supplier Response**

Event Information

Number: 211101
Title: Two Way Radio and Wireless Communication
Type: Request for Proposal
Issue Date: 11/4/2021
Deadline: 12/10/2021 03:00 PM (CT)
Notes:

IF YOU CURRENTLY HOLD TIPS CONTRACT 181103 TWO WAY RADIO AND WIRELESS COMMUNICATION ("181103"), YOU MUST RESPOND TO THIS SOLICITATION TO PREVENT LAPSE OF CONTRACT UNLESS YOU HOLD ANOTHER CURRENT TIPS CONTRACT THAT COVERS ALL OF YOUR TWO WAY RADIO AND WIRELESS COMMUNICATION OFFERINGS. THIS AWARDED CONTRACT WILL REPLACE YOUR EXPIRING TIPS CONTRACT 181103.

Contact Information

Address: Region 8 Education Service Center
4845 US Highway 271 North
Pittsburg, TX 75686
Phone: +1 (866) 839-8477
Email: bids@tips-usa.com

BK Technologies Information

Contact: Carolyn French
Address: 7100 Technology Drive
West Melbourne, FL 32904
Phone: (321) 237-1306
Toll Free: (800) 821-2900
Email: contracts@bktechnologies.com
Web Address: www.bktechnologies.com

By submitting your response, you certify that you are authorized to represent and bind your company.

Carolyn French

Signature

Submitted at 12/9/2021 9:47:50 AM

contracts@bktechnologies.com

Email

Supplier Note

BK Technologies respectfully submits the attached response to the Bid Request 211101 (Two Way Radios and Wireless Communications). We look forward to continuing our relationship with TIPS and its members.

Requested Attachments

Agreement Signature Form

211101 Agreement Signature Form-BK Tech.pdf

If you have not taken exception or deviation to the agreement language in the solicitation attributes, download the AGREEMENT SIGNATURE FORM from the "ATTACHMENTS" tab. This PDF document is a fillable form. Download the document to your computer, fill in the requested company information, print the file, SIGN the form, SCAN the completed and signed AGREEMENT SIGNATURE FORM, and upload here.

If you have taken exception to any of the agreement language and noted the exception in the deviations section of the attributes for the agreement, complete the AGREEMENT SIGNATURE FORM, but DO NOT SIGN until those deviations have been negotiated and resolved with TIPS management. Upload the unsigned form here, because this is a required document.

All Other Certificates

No response

All Other Certificates (if applicable) must be scanned and uploaded. If vendor has more than one other certification scan into one document. (PDF Format ONLY)
DO NOT UPLOAD encrypted or password protected files.

Pricing Form 2

211101 Pricing Form 2-BK.xlsx

The vendor must download the PRICING SPREADSHEET SHEET from the attachment tab, fill in the requested information and upload the completed spreadsheet.
DO NOT UPLOAD encrypted or password protected files.

Reference Form

211101 Reference_Form-BK.xls

The vendor must download the References spreadsheet from the attachment tab, fill in the requested information and upload the completed spreadsheet. DO NOT UPLOAD encrypted or password protected files.

Conflict of Interest Form CIQ- ONLY REQUIRED IF A CONFLICT EXISTS PER THE INSTRUCTIONS

No response

ONLY REQUIRED IF A CONFLICT EXISTS PER THE INSTRUCTIONS

Conflict of Interest Form for Vendors that are required to submit the form. The Conflict of Interest Form is included in the Base documents or can be found at <https://www.tips-usa.com/assets/documents/docs/CIQ.pdf>.

Proposed Goods and Services

TIPS-BK Retail Price List Dec 2021.pdf

Please upload one or more documents or sheets describing your offerings, line cards, catalogs, links to offerings OR list links to your offerings that illustrate the catalog of proposed lines of goods and or services you carry and offer under this proposal. It does not have to be exhaustive but should, at a minimum tell us what you are offering. It could be as simple as a sheet with your link to your online catalog of goods and services.

D/M/WBE Certification OPTIONAL

No response

D/M/WBE Certification documentation may be scanned and uploaded if you desire to claim your status as one of the identified enterprises. (Disadvantaged Business Enterprise, Minority Business Enterprise and/or Woman Business Enterprise) If vendor has more than one certification scan into one document. (PDF Format ONLY)

DO NOT UPLOAD encrypted or password protected files.

Warranty

BK Radio Warranty 2020.pdf

Warranty information (if applicable) must be scanned and uploaded. (PDF Format ONLY)

DO NOT UPLOAD encrypted or password protected files.

Vendor Agreement

211101 Vendor Agreement-BK.pdf

The vendor must download the Vendor Agreement from the attachment tab, fill in the requested information and upload the completed agreement.

DO NOT UPLOAD encrypted or password protected files.

Pricing Form 1

211101 Pricing Form 1-BK.xlsx

The vendor must download the PRICING SPREADSHEET SHEET from the attachment tab, fill in the requested information and upload the completed spreadsheet.

DO NOT UPLOAD encrypted or password protected files.

Supplementary

TIPS 211101 Two Way Radio-BK Technologies.pdf

Supplementary information may be scanned and uploaded. (Company information, brochures, catalogs, etc.) (PDF Format ONLY)

DO NOT UPLOAD encrypted or password protected files.

Logo and Other Company Marks

8_2019 - BK Logo_Full Color_RGB_rev (1).jpg

If you desire, please upload your company logo to be added to your individual profile page on the TIPS website. If any particular specifications are required for use of your company logo, please upload that information under the Supplementary section or another non-required section under the "Response Attachment" tab. Preferred Logo

Format: 300 x 225 px - .png, .eps, .jpeg preferred

Certification of Corporate Offerer Form- COMPLETE ONLY IF OFFERER IS A CORPORATION

CERTIFICATION OF CORPORATE OFFERER FORM-BK Tech.pdf

COMPLETE AND UPLOAD FORM IN ATTACHMENTS SECTION ONLY IF OFFERER IS A CORPORATION

Disclosure of Lobbying Activities Standard Form LLL

Disclosure_of_Lobbying_Activities_Standard_Form_LLL-BK Tech.pdf

ONLY IF you answered "I HAVE Lobbied per above" to attribute #66, please download and complete and upload the Standard Form-LLL, "disclosure Form to Report Lobbying," in the Response attachments section.

Confidentiality Claim Form

211101 CONFIDENTIALITY CLAIM FORM-BK Tech.pdf

REQUIRED CONFIDENTIALITY FORM. Complete the form according to your company requirements, make any desired attachments and upload to the appropriate section under "Response Attachments" THIS FORM DETERMINES HOW ESC8/TIPS RESPONDS TO LEGAL PUBLIC INFORMATION REQUESTS.

Current W-9 Tax Form

W-9-BK Technologies.pdf

You are required by TIPS to upload a current W-9 Internal Revenue Service (IRS) Tax Form for your entity. This form will be utilized by TIPS to properly identify your entity.

Bid Attributes

1	Yes - No Disadvantaged/Minority/Women Business Enterprise - D/M/WBE/Federal HUBZone (Required by some participating governmental entities). Vendor certifies that their firm is a D/M/WBE or HUBZone? Vendor must upload proof of certification to the "Response Attachments" D/M/WBE CERTIFICATES section. <input type="text" value="NO"/>
2	Yes - No Historically Underutilized Business - HUB (Required by some participating governmental entities) Vendor certifies that their firm is a HUB as defined by the State of Texas at https://comptroller.texas.gov/purchasing/vendor/hub/ . Proof may be submitted. Vendor must upload proof of certification to the "Response Attachments" HUB CERTIFICATES section. <input type="text" value="No"/>
3	Yes - No The Vendor can provide services and/or products to all 50 US States? <input type="text" value="Yes"/>
4	States Served: If answer is NO to question #3, please list which states can be served. (Example: AR, OK, TX) <input type="text" value="No response"/>
5	Company and/or Product Description: This information will appear on the TIPS website in the company profile section, if awarded a TIPS contract. (Limit 750 characters.) <input type="text" value="BK Technologies is a U.S. small business manufacturer based in West Melbourne, FL, BK Technologies has been in business for more than seventy (70) years. BK radios are developed, manufactured, and assembled in the United States. As the original equipment manufacturer (OEM) of our products, we design, manufacture, and market wireless communications P25 products consisting of two-way land mobile radios, repeaters, base stations, and related components and subsystems. Our mission is to remain deeply rooted in the critical communications industry for all public safety heroes, first responders, and military. We are also proud to say that more than ten percent (10%) of our work force are veterans."/>
6	Primary Contact Name Primary Contact Name <input type="text" value="Carolyn French"/>
7	Primary Contact Title Primary Contact Title <input type="text" value="Contract Administrator"/>
8	Primary Contact Email Primary Contact Email <input type="text" value="contracts@bktechnologies.com"/>

9	Primary Contact Phone Enter 10 digit phone number. (No dashes or extensions) Example: 8668398477 <input type="text" value="3212371306"/>
----------	--

10	Primary Contact Fax Enter 10 digit phone number. (No dashes or extensions) Example: 8668398477 <input type="text" value="No response"/>
-----------	---

11	Primary Contact Mobile Enter 10 digit phone number. (No dashes or extensions) Example: 8668398477 <input type="text" value="3216163210"/>
-----------	---

12	Secondary Contact Name Secondary Contact Name <input type="text" value="Jerry L. Beauchamp"/>
-----------	--

13	Secondary Contact Title Secondary Contact Title <input type="text" value="Regional Sales Manager"/>
-----------	--

14	Secondary Contact Email Secondary Contact Email <input type="text" value="JBeauchamp@bktechnologies.com"/>
-----------	---

15	Secondary Contact Phone Enter 10 digit phone number. (No dashes or extensions) Example: 8668398477 <input type="text" value="5122027416"/>
-----------	--

16	Secondary Contact Fax Enter 10 digit phone number. (No dashes or extensions) Example: 8668398477 <input type="text" value="No response"/>
-----------	---

17	Secondary Contact Mobile Enter 10 digit phone number. (No dashes or extensions) Example: 8668398477 <input type="text" value="5122027416"/>
-----------	---

18	Admin Fee Contact Name Admin Fee Contact Name. This person is responsible for paying the admin fee to TIPS. <input type="text" value="Sarah Harper"/>
-----------	--

19	Admin Fee Contact Email Admin Fee Contact Email sales@bktechnologies.com
20	Admin Fee Contact Phone Enter 10 digit phone number. (No dashes or extensions) Example: 8668398477 3212370560
21	Purchase Order Contact Name Purchase Order Contact Name. This person is responsible for receiving Purchase Orders from TIPS. Susana Brown
22	Purchase Order Contact Email Purchase Order Contact Email sales@bktechnologies.com
23	Purchase Order Contact Phone Enter 10 digit phone number. (No dashes or extensions) Example: 8668398477 8008212900
24	Company Website Company Website (Format - www.company.com) www.bktechnologies.com
25	Entity D/B/A's and Assumed Names Please identify all of your entity's assumed names and D/B/A's. Please note that you will be identified publicly by the legal name under which you responded to this solicitation unless you organize otherwise with TIPS after award. BK Technologies, Inc. (f/k/a RELM Wireless Corp), BK Technologies,
26	Primary Address Primary Address 7100 Technology Drive
27	Primary Address City Primary Address City West Melbourne
28	Primary Address State Primary Address State (2 Digit Abbreviation) FL
29	Primary Address Zip Primary Address Zip 32904

30 Search Words:

Please list search words to be posted in the TIPS database about your company that TIPS website users might search. Words may be product names, manufacturers, or other words associated with the category of award. YOU MAY NOT LIST NON-CATEGORY ITEMS. (Limit 500 words) (Format: product, paper, construction, manufacturer name, etc.)

Antenna, Base And Mobile Duplexers, Base Station, Battery, Chargers, Emergency Preparedness, Emergency Responder Supplies, Lmr, Lmr Over The Air, Microphone, Mobile, P25, Portable Radio, Public Safety Radio, Repeaters, Twoway Radios, Vhf/uhf 700/800, Wireless Broadband Data Systems Public Safety Land Mobile Radio Lmr, Wireless Communications

31 Do you want TIPS Members to be able to spend Federal grant funds with you if awarded? Is it your intent to be able to sell to our members regardless of the fund source, whether it be local, state or federal?

Most of our members receive Federal Government grants or other funding and they make up a significant portion of their budgets. The Members need to know if your company is willing to sell to them when they spend federal budget funds on their purchase. There are attributes that follow that include provisions from the federal regulations in 2 CFR part 200, etc. Your answers will determine if your award will be designated as eligible for TIPS Members to utilize federal funds with your company.

Do you want TIPS Members to be able to spend Federal funds, at the Member's discretion, with you?

32 Yes - No

Certification of Residency (Required by the State of Texas) The vendor's ultimate parent company or majority owner:

(A) has its principal place of business in Texas;

OR

(B) employs at least 500 persons in Texas?

This question is required as a data gathering function for information to our members making purchases with awarded vendors. It does not affect scoring with TIPS.

33 Company Residence (City)

Vendor's principal place of business is in the city of?

34 Company Residence (State)

Vendor's principal place of business is in the state of?

35 Discount Offered - CAUTION READ CAREFULLY BECAUSE VENDORS FREQUENTLY MAKE MISTAKES ON THIS ATTRIBUTE QUESTION

Remember this is a **MINIMUM** discount percentage. So, be sure that the discount percentage inserted here can be applied to ANY OFFERING OF GOODS OR SERVICES THROUGHOUT THE LIFE OF THE CONTRACT.

CAUTION: BE CERTAIN YOU CAN HONOR THIS **MINIMUM** DISCOUNT PERCENTAGE ON ANY OFFERED SERVICE OR GOOD NOW OR DURING THE LIFE OF THE CONTRACT.

What is the **MINIMUM** percentage discount off of any item or service you offer to TIPS Members that is in your regular catalog (as defined in the solicitation specifications document), website, store or shelf pricing or when adding new goods or services to your offerings during the life of the contract? The resulting price of any goods or services Catalog list prices after this discount is applied is a ceiling on your pricing and not a floor because, in order to be more competitive in the individual circumstance, you may offer a larger discount depending on the items or services purchased and the quantity at time of sale. Please note that any specific greater discount offered for a particular product, brand, or service listed in Vendor's proposal will control and Vendor will be required to honor that greater specific discount, in excess of the minimum discount, for that particular product, brand, or service for the life of the contract.

Must answer with a number between 0% and 100%.

36 MINIMUM Discount Term

Does the vendor agree to at least offer, for the life of the Agreement, the Minimum Discount Percentage off list or catalog proposed by Vendor in response to the Attribute entitled "Discount Offered - CAUTION READ CAREFULLY BECAUSE VENDORS FREQUENTLY MAKE MISTAKES ON THIS ATTRIBUTE QUESTION"? TIPS will utilize this response to satisfy the Long Term Cost scoring evaluation criteria. A "YES" answer will be awarded the maximum 10 points for this criterion out of the 100 total points and a "NO" answer is awarded 0 points.

37 Catalog or list pricing of vendor

For the duration of the Contract, Vendor agrees to provide catalog pricing, as defined in the solicitation and below, to TIPS upon request for any goods and services offered on the Vendor's TIPS Contract.

"Catalog" means the available list of tangible personal property or services, in the most current listing, regardless of date, during the life of the contract, that takes the form of a catalog, price list, schedule, shelf price or other form that:

- A. is regularly maintained by the manufacturer or Vendor of an item; and
- B. is either published or otherwise available for inspection by a customer during the purchase process;
- C. to which the minimum discount proposed by the proposing Vendor may be applied.

38 TIPS Administration Fee

By submitting a proposal, I agree that all pricing submitted to TIPS shall include the Administration Fee, as designated in the solicitation or as otherwise agreed in writing which shall be remitted to TIPS by the Vendor, or the vendor's named resellers, and as agreed to in the Vendor Agreement. I agree that the fee shall not and will not be added by the Vendor as a separate line item on a TIPS member invoice, quote, proposal or any other written communications with the TIPS member.

3 9	<p>Yes - No</p> <p>Vendor agrees to remit to TIPS the required administration fee or, if resellers are named, Vendor agrees to guarantee the fee remittance by or for the reseller named by the vendor?</p> <p>TIPS/ESC Region 8 is required by Texas Government Code § 791 to be compensated for its work and thus, failure to agree shall render your response void and it will not be considered.</p> <input type="text" value="Agreed"/>
--------	---

4 0	<p>TIPS Administration Fee Paid by Vendor - Not Charged to Customer</p> <p>Vendor understands and agrees that it owes TIPS a TIPS Administration Fee (published in the RFP/RCSP document) on every TIPS sale made under an awarded TIPS Contract. Vendor further understands and agrees that Vendor shall submit pricing with this proposal which includes and accounts for the TIPS Administration Fee and shall never separately charge the TIPS Member Customer the TIPS fee or add the TIPS Administration Fee line item to an invoice or similar purchase document. Submission of this proposal is Vendor's certification that Vendor agrees to this mandatory term.</p>
--------	---

4 1	<p>Additional Discounts?</p> <p>Do you offer additional discounts to TIPS members for large order quantities or large scope of work?</p> <input type="text" value="No"/>
--------	---

4 2	<p>Years in Business as Proposing Company</p> <p>Years in business as proposing company?</p> <input type="text" value="70"/>
--------	---

4 3	<p>Resellers:</p> <p>Does the vendor have resellers that it will name under this contract? Resellers are defined as other companies that sell your products under an agreement with you, the awarded vendor of TIPS.</p> <p>EXAMPLE: BIGmart is a reseller of ACME brand televisions. If ACME were a TIPS awarded vendor, then ACME would list BIGmart as a reseller.</p> <p>(If applicable, Vendor should add all Authorized Resellers within the TIPS Vendor Portal upon award).</p> <input type="text" value="No"/>
--------	---

4 4	<p>Right of Refusal</p> <p>The proposing vendor has the right not to sell under the awarded agreement with a TIPS member at vendor's discretion unless required by law.</p>
--------	--

4 **NON-COLLUSIVE BIDDING CERTIFICATE**

5 By submission of this bid or proposal, the Bidder certifies that:

- 1) This bid or proposal has been independently arrived at without collusion with any other Bidder or with any Competitor;
- 2) This bid or proposal has not been knowingly disclosed and will not be knowingly disclosed, prior to the opening of bids, or proposals for this project, to any other Bidder, Competitor or potential competitor:
- 3) No attempt has been or will be made to induce any other person, partnership or corporation to submit or not to submit a bid or proposal;
- 4) The person signing this bid or proposal certifies that he has fully informed himself regarding the accuracy of the statements contained in this certification, and under the penalties being applicable to the Bidder as well as to the person signing in its behalf.

Not a negotiable term. Failure to agree will render your proposal non-responsive and it will not be considered.

4 **CONFLICT OF INTEREST QUESTIONNAIRE - FORM CIQ - Do you have any CONFLICT OF INTEREST TO REPORT OR DISCLOSE under this statutory requirement?**

6 Do you have any CONFLICT OF INTEREST TO REPORT OR DISCLOSE under this statutory requirement? YES or NO

If you have a conflict of interest as described in this form or the Local Government Code Chapter 176, cited therein- you are required to complete and file with TIPS. The Form CIQ is one of the attachments to this solicitation.

There is an optional upload for this form provided if you have a conflict and must file the form

4 **Filing of Form CIQ**

7 If yes (above), have you filed a form CIQ by uploading the form to this RFP as directed above?

4 **Regulatory Standing**

8 I certify to TIPS for the proposal attached that my company is in good standing with all governmental agencies Federal or state that regulate any part of our business operations. If not, please explain in the next attribute question.

4 **Regulatory Standing**

9 Regulatory Standing explanation of no answer on previous question.

Antitrust Certification Statements (Tex. Government Code § 2155.005)

By submission of this bid or proposal, the Bidder certifies that:

I affirm under penalty of perjury of the laws of the State of Texas that:

- (1) I am duly authorized to execute this contract on my own behalf or on behalf of the company, corporation, firm, partnership or individual (Company) listed below;
- (2) In connection with this bid, neither I nor any representative of the Company has violated any provision of the Texas Free Enterprise and Antitrust Act, Tex. Bus. & Comm. Code Chapter 15;
- (3) In connection with this bid, neither I nor any representative of the Company has violated any federal antitrust law;
- (4) Neither I nor any representative of the Company has directly or indirectly communicated any of the contents of this bid to a competitor of the Company or any other company, corporation, firm, partnership or individual engaged in the same line of business as the Company.

5
1

Suspension or Debarment Instructions

Instructions for Certification:

1. By answering yes to the next Attribute question below, the vendor and prospective lower tier participant is providing the certification set out herein in accordance with these instructions.
2. The certification in this clause is a material representation of fact upon which reliance was placed when this transaction was entered into. If it is later determined that the prospective lower tier participant knowingly rendered an erroneous certification in addition to other remedies available to the federal government, the department or agency with which this transaction originated may pursue available remedies, including suspension and / or debarment.
3. The prospective lower tier participant shall provide immediate written notice to the person to which this proposal is submitted if at any time the prospective lower tier participant learns that its certification was erroneous when submitted or has become erroneous by reason of changed circumstances.
4. The terms "covered transaction," "debarred," "suspended," "ineligible," "lower tier covered transaction," "participants," "person," "primary covered transaction," "principal," "proposal" and "voluntarily excluded," as used in this clause, have the meanings set out in the Definitions and Coverage sections of rules implementing Executive Order 12549. You may contact the person to which this proposal is submitted for assistance in obtaining a copy of those regulations.
5. The prospective lower tier participant agrees by submitting this form that, should the proposed covered transaction be entered into, it shall not knowingly enter into any lower tier covered transaction with a person who is debarred, suspended, declared ineligible or voluntarily excluded from participation in this covered transaction, unless authorized by the department or agency with which this transaction originated.
6. The prospective lower tier participant further agrees by submitting this form that it will include this clause titled "Certification Regarding Debarment, Suspension, Ineligibility and Voluntary Exclusion-Lower Tier Covered Transaction" without modification in all lower tier covered transactions and in all solicitations for lower tier covered transactions.
7. A participant in a covered transaction may rely upon a certification of a prospective participant in a lower tier covered transaction that it is not debarred, suspended, ineligible or voluntarily excluded from the covered transaction, unless it knows that the certification is erroneous. A participant may decide the method and frequency by which it determines the eligibility of its principals. Each participant may, but is not required to, check the Nonprocurement List.
8. Nothing contained in the foregoing shall be construed to require establishment of a system of records in order to render in good faith the certification required by this clause. The knowledge and information of a participant is not required to exceed that which is normally possessed by a prudent person in the ordinary course of business dealings.
9. Except for transactions authorized under paragraph 5 of these instructions, if a participant in a covered transaction knowingly enters into a lower tier covered transaction with a person who is suspended, debarred, ineligible or voluntarily excluded from participation in this transaction, in addition to other remedies available to the federal government, the department or agency with which this transaction originated may pursue available remedies, including suspension and / or debarment.

5
2

Suspension or Debarment Certification

By answering yes, you certify that no federal suspension or debarment is in place, which would preclude receiving a federally funded contract as described above.

Yes

5
3

Non-Discrimination Statement and Certification

In accordance with Federal civil rights law, all U.S. Departments, including the U.S. Department of Agriculture (USDA) civil rights regulations and policies, the USDA, its Agencies, offices, and employees, and institutions participating in or administering USDA programs are prohibited from discriminating based on race, color, national origin, religion, sex, gender identity (including gender expression), sexual orientation, disability, age, marital status, family/parental status, income derived from a public assistance program, political beliefs, or reprisal or retaliation for prior civil rights activity, in any program or activity conducted or funded by USDA (not all bases apply to all programs). Remedies and complaint filing deadlines vary by program or incident.

Persons with disabilities who require alternative means of communication for program information (e.g., Braille, large print, audiotope, American Sign Language, etc.) should contact the responsible Agency or USDA's TARGET Center at (202) 720-2600 (voice and TTY) or contact USDA through the Federal Relay Service at (800) 877-8339. Additionally, program information may be made available in languages other than English.

To file a program discrimination complaint, complete the USDA Program Discrimination Complaint Form, AD-3027, found online at How to File a Program Discrimination Complaint and at any USDA office or write a letter addressed to USDA and provide in the letter all of the information requested in the form. To request a copy of the complaint form, call (866) 632-9992. Submit your completed form or letter to USDA by: (1) mail: U.S. Department of Agriculture, Office of the Assistant Secretary for Civil Rights, 1400 Independence Avenue, SW, Washington, D.C. 20250-9410; (2) fax: (202) 690-7442; or (3) email: program.intake@usda.gov.

(Title VI of the Education Amendments of 1972; Section 504 of the Rehabilitation Act of 1973; the Age Discrimination Act of 1975; Title 7 CFR Parts 15, 15a, and 15b; the Americans with Disabilities Act; and FNS Instruction 113-1, Civil Rights Compliance and Enforcement – Nutrition Programs and Activities)

All U.S. Departments, including the USDA are equal opportunity provider, employer, and lender.

Not a negotiable term. Failure to agree by answering YES will render your proposal non-responsive and it will not be considered. I certify that in the performance of a contract with TIPS or its members, that our company will conform to the foregoing anti-discrimination statement and comply with the cited and all other applicable laws and regulations.

Yes, I certify (Yes)

5
4

2 CFR PART 200 Contract Provisions Explanation

Required Federal contract provisions of Federal Regulations for Contracts for contracts with ESC Region 8 and TIPS Members:

The following provisions are required to be in place and agreed if the procurement is funded in any part with federal funds.

The ESC Region 8 and TIPS Members are the subgrantee or Subrecipient by definition. Most of the provisions are located in 2 CFR PART 200 - Appendix II to Part 200—Contract Provisions for Non-Federal Entity Contracts Under Federal Awards at 2 CFR PART 200. Others are included within 2 CFR part 200 et al.

In addition to other provisions required by the Federal agency or non-Federal entity, all contracts made by the non-Federal entity under the Federal award must contain provisions covering the following, as applicable.

5 2 CFR PART 200 Contracts

Contracts for more than the simplified acquisition threshold currently set at \$250,000, which is the inflation adjusted amount determined by the Civilian Agency Acquisition Council and the Defense Acquisition Regulations Council (Councils) as authorized by 41 U.S.C. 1908, must address administrative, contractual, or legal remedies in instances where contractors violate or breach contract terms, and provide for such sanctions and penalties as appropriate.

Notice: Pursuant to the above, when federal funds are expended by ESC Region 8 and TIPS Members, ESC Region 8 and TIPS Members reserves all rights and privileges under the applicable laws and regulations with respect to this procurement in the event of breach of contract by either party.

Does vendor agree?

5 2 CFR PART 200 Termination

Termination for cause and for convenience by the grantee or subgrantee including the manner by which it will be effected and the basis for settlement. (All contracts in excess of \$10,000)

Pursuant to the above, when federal funds are expended by ESC Region 8 and TIPS Members, ESC Region 8 and TIPS Members reserves the right to terminate any agreement in excess of \$10,000 resulting from this procurement process for cause after giving the vendor an appropriate opportunity and up to 30 days, to cure the causal breach of terms and conditions. ESC Region 8 and TIPS Members reserves the right to terminate any agreement in excess of \$10,000 resulting from this procurement process for convenience with 30 days notice in writing to the awarded vendor. The vendor would be compensated for work performed and goods procured as of the termination date if for convenience of the ESC Region 8 and TIPS Members. Any award under this procurement process is not exclusive and the ESC Region 8 and TIPS reserves the right to purchase goods and services from other vendors when it is in the best interest of the ESC Region 8 and TIPS.

Does vendor agree?

5 2 CFR PART 200 Clean Air Act

Clean Air Act (42 U.S.C. 7401-7671q.) and the Federal Water Pollution Control Act (33 U.S.C. 1251-1387), as amended—Contracts and subgrants of amounts in excess of \$150,000 must contain a provision that requires the non-Federal award to agree to comply with all applicable standards, orders or regulations issued pursuant to the Clean Air Act (42 U.S.C. 7401-7671q) and the Federal Water Pollution Control Act as amended (33 U.S.C. 1251-1387). Violations must be reported to the Federal awarding agency and the Regional Office of the Environmental Protection Agency (EPA).

Pursuant to the Clean Air Act, et al above, when federal funds are expended by ESC Region 8 and TIPS Members, ESC Region 8 and TIPS Members requires that the proposer certify that during the term of an award by the ESC Region 8 and TIPS Members resulting from this procurement process the vendor agrees to comply with all of the above regulations, including all of the terms listed and referenced therein.

Does vendor agree?

5
8

2 CFR PART 200 Byrd Anti-Lobbying Amendment

Byrd Anti-Lobbying Amendment (31 U.S.C. 1352)—Contractors that apply or bid for an award exceeding \$100,000 must file the required certification. Each tier certifies to the tier above that it will not and has not used Federal appropriated funds to pay any person or organization for influencing or attempting to influence an officer or employee of any agency, a member of Congress, officer or employee of Congress, or an employee of a member of Congress in connection with obtaining any Federal contract, grant or any other award covered by 31 U.S.C. 1352. Each tier must also disclose any lobbying with non-Federal funds that takes place in connection with obtaining any Federal award. Such disclosures are forwarded from tier to tier up to the non-Federal award.

Pursuant to the above, when federal funds are expended by ESC Region 8 and TIPS Members, ESC Region 8 and TIPS Members requires the proposer certify that during the term and during the life of any contract with ESC Region 8 and TIPS Members resulting from this procurement process the vendor certifies to the terms included or referenced herein.

Does vendor agree?

5
9

2 CFR PART 200 Federal Rule

Compliance with all applicable standards, orders, or requirements issued under section 306 of the Clean Air Act (42 U.S.C. 1857(h)), section 508 of the Clean Water Act (33 U.S.C. 1368), Executive Order 11738, and Environmental Protection Agency regulations (40 CFR part 15). (Contracts, subcontracts, and subgrants of amounts in excess of \$250,000)

Pursuant to the above, when federal funds are expended by ESC Region 8 and TIPS Members, ESC Region 8 and TIPS Members requires the proposer certify that in performance of the contracts, subcontracts, and subgrants of amounts in excess of \$250,000, the vendor will be in compliance with all applicable standards, orders, or requirements issued under section 306 of the Clean Air Act (42 U.S.C. 1857(h)), section 508 of the Clean Water Act (33 U.S.C. 1368), Executive Order 11738, and Environmental Protection Agency regulations (40 CFR part 15).

Does vendor certify that it is in compliance with the Clean Air Act?

6
0

2 CFR PART 200 Procurement of Recovered Materials

A non-Federal entity that is a state agency or agency of a political subdivision of a state and its contractors must comply with section 6002 of the Solid Waste Disposal Act, as amended by the Resource Conservation and Recovery Act. The requirements of Section 6002 include procuring only items designated in guidelines of the Environmental Protection Agency (EPA) at 40 CFR part 247 that contain the highest percentage of recovered materials practicable, consistent with maintaining a satisfactory level of competition, where the purchase price of the item exceeds \$10,000 or the value of the quantity acquired during the preceding fiscal year exceeded \$10,000; procuring solid waste management services in a manner that maximizes energy and resource recovery; and establishing an affirmative procurement program for procurement of recovered materials identified in the EPA guidelines.

Does vendor certify that it is in compliance with the Solid Waste Disposal Act as described above?

6
1 **2 CFR PART 200 Rights to Inventions**

If the Federal award meets the definition of “funding agreement” under 37 CFR §401.2 (a) and the recipient or subrecipient wishes to enter into a contract with a small business firm or nonprofit organization regarding the substitution of parties, assignment or performance of experimental, developmental, or research work under that “funding agreement,” the recipient or subrecipient must comply with the requirements of 37 CFR Part 401, “Rights to Inventions Made by Nonprofit Organizations and Small Business Firms Under Government Grants, Contracts and Cooperative Agreements,” and any implementing regulations issued by the awarding agency.

Pursuant to the above, when the foregoing applies to ESC Region 8 and TIPS Members, Vendor certifies that during the term of an award resulting from this procurement process, Vendor agrees to comply with all applicable requirements as referenced in the Federal rule above.

Does vendor agree?

6
2 **2 CFR PART 200 Domestic Preferences for Procurements**

As appropriate and to the extent consistent with law, the non-Federal entity should, to the greatest extent practicable under a Federal award, provide a preference for the purchase, acquisition, or use of goods, products, or materials produced in the United States (including but not limited to iron, aluminum, steel, cement, and other manufactured products). The requirements of this section must be included in all subawards including all contracts and purchase orders for work or products under this award. For purposes of 2 CFR Part 200.322, “Produced in the United States” means, for iron and steel products, that all manufacturing processes, from the initial melting stage through the application of coatings, occurred in the United States. Moreover, for purposes of 2 CFR Part 200.322, “Manufactured products” means items and construction materials composed in whole or in part of non-ferrous metals such as aluminum, plastics and polymer-based products such as polyvinyl chloride pipe, aggregates such as concrete, glass, including optical fiber, and lumber.

Pursuant to the above, when federal funds are expended by ESC Region 8 and TIPS Members, Vendor certifies that to the greatest extent practicable Vendor will provide a preference for the purchase, acquisition, or use of goods, products, or materials produced in the United States (including but not limited to iron, aluminum, steel, cement, and other manufactured products).

Does vendor agree?

6
3 **2 CFR PART 200 Ban on Foreign Telecommunications**

Federal grant funds may not be used to purchase equipment, services, or systems that use “covered telecommunications” equipment or services as a substantial or essential component of any system, or as critical technology as part of any system. “Covered telecommunications” means purchases from Huawei Technologies Company or ZTE Corporation (or any subsidiary or affiliate of such entities), and video surveillance and telecommunications equipment produced by Hytera Communications Corporation, Hangzhou Hikvision Digital Technology Company, or Dahua Technology Company (or any subsidiary or affiliate of such entities).

Pursuant to the above, when federal funds are expended by ESC Region 8 and TIPS Members, Vendor certifies that Vendor will not purchase equipment, services, or systems that use “covered telecommunications”, as defined by 2 CFR §200.216 equipment or services as a substantial or essential component of any system, or as critical technology as part of any system.

Does vendor agree?

6 4 2 CFR PART 200 Contract Cost & Price

For contracts more than the simplified acquisition threshold currently set at \$250,000, a TIPS Member may, in very rare circumstances, be required to negotiate profit as a separate element of the price pursuant to 2 C.F.R. 200.324(b). Under those circumstances, Vendor agrees to provide information and negotiate with the TIPS Member regarding profit as a separate element of the price. However, Vendor certifies that the total price charged by the Vendor shall not exceed the Vendor's TIPS pricing and pricing terms proposed.

Does Vendor Agree?

6 5 FEMA Fund Certifications

Submission of this proposal is Vendor's certification that Vendor agrees to this term. Vendor certifies that **IF and when** Vendor accepts a TIPS purchase paid for in full or part with FEMA funds, Vendor certifies that:

(1) Vendor agrees to provide the TIPS Member, the FEMA Administrator, the Comptroller General of the United States, or any of their authorized representatives access to and rights to reproduce any books, documents, papers, and records of the Contractor which are directly pertinent to this contract for the purposes of making audits, examinations, excerpts, and transcriptions. The Vendor agrees to provide the FEMA Administrator or an authorized representatives access to construction or other work sites pertaining to the work being completed under the contract. Vendor acknowledges and agrees that no language in this contract or the contract with the TIPS Member is intended to prohibit audits or internal reviews by the FEMA Administrator or the Comptroller General of the United States.

(2) The Vendor shall not use the Department of Homeland Security's seal(s), logos, crests, or reproductions of flags or likenesses of DHS agency officials without specific FEMA pre-approval.

(3) The Vendor will comply with all applicable Federal law, regulations, executive orders, FEMA policies, procedures, and directives.

(4) The Federal Government is not a party to this contract and is not subject to any obligations or liabilities to the non-Federal entity, contractor, or any other party pertaining to any matter resulting from the contract.

(5) The Vendor acknowledges that 31 U.S.C. Chap. 38 (Administrative Remedies for False Claims and Statements) applies to the Vendor's actions pertaining to this contract.

6 6 Certification of Compliance with the Energy Policy and Conservation Act

When appropriate and to the extent consistent with the law, Vendor certifies that it will comply with the Energy Policy and Conservation Act (42 U.S.C. 6321 et seq; 49 C.F.R. Part 18) and any mandatory standards and policies relating to energy efficiency which are contained in applicable state energy conservation plans issued in compliance with the Act.

Does Vendor agree?

6
7 **Certification Regarding Lobbying**

Applicable to Grants, Subgrants, Cooperative Agreements, and Contracts Exceeding \$100,000 in Federal Funds

Submission of this certification is a prerequisite for making or entering into this transaction and is imposed by section 1352, Title 31, U.S. Code. This certification is a material representation of fact upon which reliance was placed when this transaction was made or entered into. Any person who fails to file the required certification shall be subject to a civil penalty of not less than \$10,000 and not more than \$100,000 for each such failure.

The undersigned certifies, to the best of his or her knowledge and belief, that:

(1) No Federal appropriated funds have been paid or will be paid by or on behalf of the undersigned, to any person for influencing or attempting to influence an officer or employee of any agency, a Member of Congress, an officer or employee of congress, or an employee of a Member of Congress in connection with the awarding of a Federal contract, the making of a Federal grant, the making of a Federal loan, the entering into a cooperative agreement, and the extension, continuation, renewal, amendment, or modification of a Federal contract, grant, loan, or cooperative agreement.

(2) If any funds other than Federal appropriated funds have been paid or will be paid to any person for influencing or attempting to influence an officer or employee of any agency, a Member of Congress, an officer or employee of congress, or an employee of a Member of Congress in connection with this Federal grant or cooperative agreement, the undersigned shall complete and submit Standard Form-LLL, "disclosure Form to Report Lobbying," in accordance with its instructions.

(3) The undersigned shall require that the language of this certification be included in the award documents for all covered subawards exceeding \$100,000 in Federal funds at all appropriate tiers and that all subrecipients shall certify and disclose accordingly.

6
8 **If you answered "I HAVE lobbied" to the above Attribute Question**

If you answered "I HAVE lobbied" to the above Attribute question, you must download the Lobbying Report "Standard From LLL, disclosure Form to Report Lobbying" which includes instruction on completing the form, complete and submit it in the Response Attachments section as a report of the lobbying activities you performed or paid others to perform.

6
9 **Subcontracting with Small and Minority Businesses, Women's Business Enterprises, and Labor Surplus Area Firms.**

Do you ever anticipate the possibility of subcontracting any of your work under this award if you are successful?

IF NO, DO NOT ANSWER THE NEXT ATTRIBUTE QUESTION. . IF YES, and ONLY IF YES, you must answer the next question YES if you want a TIPS Member to be authorized to spend Federal Grant Funds for Procurement.

7
0

ONLY IF YES TO THE PREVIOUS QUESTION OR if you ever do subcontract any part of your performance under the TIPS Agreement, do you agree to comply with the following federal requirements?

ONLY IF YES TO THE PREVIOUS QUESTION OR if you ever do subcontract any part of your performance under the TIPS Agreement,

do you agree to comply with the following federal requirements?

Federal Regulation 2 CFR §200.321 Contracting with small and minority businesses, women's business enterprises, and labor surplus area firms. (a)The non-Federal entity must take all necessary affirmative steps to assure that minority businesses, women's business enterprises, and labor surplus area firms are used when possible.

(b) Affirmative steps must include:

(1) Placing qualified small and minority businesses and women's business enterprises on solicitation lists;

(2) Assuring that small and minority businesses, and women's business enterprises are solicited whenever they are potential sources;

(3) Dividing total requirements, when economically feasible, into smaller tasks or quantities to permit maximum participation by small and minority businesses, and women's business enterprises;

(4) Establishing delivery schedules, where the requirement permits, which encourage participation by small and minority businesses, and women's business enterprises;

(5) Using the services and assistance, as appropriate, of such organizations as the Small Business Administration and the Minority Business Development Agency of the Department of Commerce ; and

(6) Requiring the prime contractor, if subcontracts are to be let, to take the affirmative steps listed in paragraphs(1) through (5) of this section.

7
1

Indemnification

The ESC Region 8 and TIPS is a Texas Political Subdivision and a local governmental entity; therefore, is prohibited from

indemnifying third parties pursuant to the Texas Constitution (Article 3, Section 52) except as specifically provided by law or as

ordered by a court of competent jurisdiction. A provision in a contract to indemnify or hold a party harmless is a promise to pay for

any expenses the indemnified party incurs, if a specified event occurs, such as breaching the terms of the contract or negligently

performing duties under the contract. Article III, Section 49 of the Texas Constitution states that "no debt shall be created by or on

behalf of the State ... " The Attorney General has counseled that a contractually imposed obligation of indemnity creates a "debt" in

the constitutional sense. Tex. Att'y Gen. Op. No. MW-475 (1982). Contract clauses which require the System or institutions to

indemnify must be deleted or qualified with "to the extent permitted by the Constitution and Laws of the State of Texas." Liquidated

damages, attorney's fees, waiver of vendor's liability, and waiver of statutes of limitations clauses should also be deleted or qualified

with "to the extent permitted by the Constitution and laws of State of Texas."

Not a negotiable term. Failure to agree will render your proposal non-responsive and it will not be considered. Do you agree

to these terms?

Yes, I Agree (Yes)

**7
2 Remedies**

The parties shall be entitled to exercise any right or remedy available to it either at law or in equity, subject to the choice of law, venue and service of process clauses limitations agreed herein. Nothing in this agreement shall commit the TIPS to an arbitration resolution of any disagreement under any circumstances. Any Claim arising out of or related to the Contract, except for those specifically waived under the terms of the Contract, may, after denial of the Board of Directors, be subject to mediation at the request of either party. Any issues not resolved hereunder MAY be referred to non-binding mediation to be conducted by a mutually agreed upon mediator as a prerequisite to the filing of any lawsuit over such issue(s). The parties shall share the mediator's fee and any associated filing fee equally. Mediation shall be held in Camp or Titus County, Texas. Agreements reached in mediation shall be reduced to writing, and will be subject to the approval by the District's Board of Directors, signed by the Parties if approved by the Board of Directors, and, if signed, shall thereafter be enforceable as provided by the laws of the State of Texas.

Do you agree to these terms?

**7
3 Remedies Explanation of No Answer**

**7
4 Choice of Law**

The agreement between the Vendor and TIPS/ESC Region 8 and any addenda or other additions resulting from this procurement process, however described, shall be governed by, construed and enforced in accordance with the laws of the State of Texas, regardless of any conflict of laws principles. THIS DOES NOT APPLY to a vendor's agreement entered into with a TIPS Member, as the Member may be located outside Texas.

Do you agree to these terms?

**7
5 Venue, Jurisdiction and Service of Process**

Any proceeding, involving Region 8 ESC or TIPS, arising out of or relating to this procurement process or any contract issued by TIPS resulting from or any contemplated transaction shall be brought in a court of competent jurisdiction in Camp County, Texas and each of the parties irrevocably submits to the exclusive jurisdiction of said court in any such proceeding, waives any objection it may now or hereafter have to venue or to convenience of forum, agrees that all claims in respect of the Proceeding shall be heard and determined only in any such court, and agrees not to bring any proceeding arising out of or relating to this procurement process or any contract resulting from or any contemplated transaction in any other court. The parties agree that either or both of them may file a copy of this paragraph with any court as written evidence of the knowing, voluntary and freely bargained for agreement between the parties irrevocably to waive any objections to venue or to convenience of forum. Process in any Proceeding referred to in the first sentence of this Section may be served on any party anywhere in the world. Any dispute resolution process other than litigation shall have venue in Camp County or Titus County Texas.

Do you agree to these terms?

**7
6** **Infringement(s)**

The successful vendor will be expected to indemnify and hold harmless the TIPS and its employees, officers, agents, representatives, contractors, assignees and designees from any and all third party claims and judgments involving infringement of patent, copyright, trade secrets, trade or service marks, and any other intellectual or intangible property rights attributed to or claims based on the Vendor's proposal or Vendor's performance of contracts awarded and approved.

Do you agree to these terms?

Yes, I Agree

**7
7** **Infringement(s) Explanation of No Answer**

No response

**7
8** **Contract Governance**

Any contract made or entered into by the TIPS is subject to and is to be governed by Section 271.151 et seq, Tex Loc Gov't Code. Otherwise, TIPS does not waive its governmental immunities from suit or liability except to the extent expressly waived by other applicable laws in clear and unambiguous language.

Yes, I Agree (Yes)

**7
9** **Payment Terms and Funding Out Clause**

Payment Terms:

TIPS or TIPS Members shall not be liable for interest or late payment fees on past-due balances at a rate higher than permitted by the laws or regulations of the jurisdiction of the TIPS Member.

Funding Out Clause:

Vendor agrees to abide by the laws and regulations, including Texas Local Government Code § 271.903, or any statutory or regulatory limitations of the jurisdiction of any TIPS Member which governs contracts entered into by the Vendor and TIPS or a TIPS Member that requires all contracts approved by TIPS or a TIPS Member are subject to the budgeting and appropriation of currently available funds by the entity or its governing body.

See statute(s) for specifics or consult your legal counsel.

Not a negotiable term. Failure to agree will render your proposal non-responsive and it will not be considered.

Do you agree to these terms?

Yes, I Agree (Yes)

80 Insurance and Fingerprint Requirements Information

Insurance

If applicable and your staff will be on TIPS member premises for delivery, training or installation etc. and/or with an automobile, you must carry automobile insurance as required by law. You may be asked to provide proof of insurance.

Fingerprint

It is possible that a vendor may be subject to Chapter 22 of the Texas Education Code. The Texas Education Code, Chapter 22, Section 22.0834 & 22.08341. Statutory language may be found at: <http://www.statutes.legis.state.tx.us/>

If the vendor has staff that meet both of these criterion:

- (1) will have continuing duties related to the contracted services; and
- (2) has or will have direct contact with students

Then you have "covered" employees for purposes of completing the attached form.

TIPS recommends all vendors consult their legal counsel for guidance in compliance with this law. If you have questions on how to comply, see below. If you have questions on compliance with this code section, contact the Texas Department of Public Safety Non-Criminal Justice Unit, Access and Dissemination Bureau, FAST-FACT at NCJU@txdps.state.tx.us and you should send an email identifying you as a contractor to a Texas Independent School District or ESC Region 8 and TIPS. Texas DPS phone number is (512) 424-2474.

See form in the next attribute to complete entitled:
Texas Education Code Chapter 22 Contractor Certification for Contractor Employees

Texas Education Code Chapter 22 Contractor Certification for Contractor Employees

Introduction: Texas Education Code Chapter 22 requires entities that contract with school districts to provide services to obtain criminal history record information regarding covered employees. Contractors must certify to the district that they have complied. Covered employees with disqualifying criminal histories are prohibited from serving at a school district.

Definitions: Covered employees: Employees of a contractor or subcontractor who have or will have continuing duties related to the service to be performed at the District and have or will have direct contact with students. The District will be the final arbiter of what constitutes direct contact with students. Disqualifying criminal history: Any conviction or other criminal history information designated by the District, or one of the following offenses, if at the time of the offense, the victim was under 18 or enrolled in a public school:

(a) a felony offense under Title 5, Texas Penal Code; (b) an offense for which a defendant is required to register as a sex offender under Chapter 62, Texas Code of Criminal Procedure; or (c) an equivalent offense under federal law or the laws of another state.

I certify that:

NONE (Section A) of the employees of Contractor and any subcontractors are covered employees, as defined above. If this box is checked, I further certify that Contractor has taken precautions or imposed conditions to ensure that the employees of Contractor and any subcontractor will not become covered employees. Contractor will maintain these precautions or conditions throughout the time the contracted services are provided.

OR

SOME (Section B) or all of the employees of Contractor and any subcontractor are covered employees. If this box is checked, I further certify that:

(1) Contractor has obtained all required criminal history record information regarding its covered employees. None of the covered employees has a disqualifying criminal history.

(2) If Contractor receives information that a covered employee subsequently has a reported criminal history, Contractor will immediately remove the covered employee from contract duties and notify the District in writing within 3 business days.

(3) Upon request, Contractor will provide the District with the name and any other requested information of covered employees so that the District may obtain criminal history record information on the covered employees.

(4) If the District objects to the assignment of a covered employee on the basis of the covered employee's criminal history record information, Contractor agrees to discontinue using that covered employee to provide services at the District.

Noncompliance or misrepresentation regarding this certification may be grounds for contract termination.

None

8 **Texas Business and Commerce Code § 272 Requirements as of 9-1-2017**

2 SB 807 prohibits construction contracts to have provisions requiring the contract to be subject to the laws of another state, to be required to litigate the contract in another state, or to require arbitration in another state. A contract with such provisions is voidable. Under this new statute, a "construction contract" includes contracts, subcontracts, or agreements with (among others) architects, engineers, contractors, construction managers, equipment lessors, or materials suppliers. "Construction contracts" are for the design, construction, alteration, renovation, remodeling, or repair of any building or improvement to real property, or for furnishing materials or equipment for the project. The term also includes moving, demolition, or excavation. BY RESPONDING TO THIS SOLICITATION, AND WHEN APPLICABLE, THE PROPOSER AGREES TO COMPLY WITH THE TEXAS BUSINESS AND COMMERCE CODE § 272 WHEN EXECUTING CONTRACTS WITH TIPS MEMBERS THAT ARE TEXAS GOVERNMENT ENTITIES.

8 **Texas Government Code 2270 & 2271 Verification Form**

3 Texas Government Code 2270 & 2271 Verification Form

If (a) Vendor is not a sole proprietorship; (b) Vendor has ten (10) or more full-time employees; and (c) this Agreement has a value of \$100,000 or more, the following certification shall apply; otherwise, this certification is not required. Pursuant to Chapter 2271 of the Texas Government Code, the Vendor hereby certifies and verifies that neither the Vendor, nor any affiliate, subsidiary, or parent company of the Vendor, if any (the "Vendor Companies"), boycotts Israel, and the Vendor agrees that the Vendor and Vendor Companies will not boycott Israel during the term of this Agreement. For purposes of this Agreement, the term "boycott" shall mean and include refusing to deal with, terminating business activities with, or otherwise taking any action that is intended to penalize, inflict economic harm on, or limit commercial relations with Israel, or with a person or entity doing business in Israel or in an Israeli-controlled territory, but does not include an action made for ordinary business purposes.

Our entity further certifies that it is is not listed on and we do not do business with companies prohibited by Texas Government Code 2270 or that are on the Texas Comptroller of Public Accounts list of Designated Foreign Terrorists Organizations per Texas Gov't Code 2270.0153 found at <https://comptroller.texas.gov/purchasing/docs/foreign-terrorist.pdf>

I swear and affirm that the above is true and correct.

8 **Logos and other company marks**

4 Please upload your company logo to be added to your individual profile page on the TIPS website. If any particular specifications are required for use of your company logo, please upload that information under the "Logo and Other Company Marks" section under the "Response Attachment" tab. Preferred Logo Format: 300 x 225 px - .png, .eps, .jpeg preferred

Potential uses of company logo:

- * Your Vendor Profile Page of TIPS website
- * Potentially on TIPS website scroll bar for Top Performing Vendors
- * TIPS Quarterly eNewsletter sent to TIPS Members
- * Co-branding Flyers and or email blasts to our TIPS Members (Permission and approval will be obtained before publishing)

8
5

Solicitation Deviation/Compliance

Does the vendor agree with the General Conditions Standard Terms and Conditions or Item Specifications listed in this proposal invitation?

Yes

8
6

Solicitation Exceptions/Deviations Explanation

If the bidder intends to deviate from the General Conditions Standard Terms and Conditions or Item Specifications listed in this proposal invitation, all such deviations must be listed on this attribute, with complete and detailed conditions and information included or attached.

TIPS will consider any deviations in its proposal award decisions, and TIPS reserves the right to accept or reject any bid based upon any deviations indicated below or in any attachments or inclusions.

In the absence of any deviation entry on this attribute, the proposer assures TIPS of their full compliance with the Standard Terms and Conditions, Item Specifications, and all other information contained in this Solicitation.

No response

8
7

Agreement Deviation/Compliance

Does the vendor agree with the language in the Vendor Agreement?

Yes

8
8

Agreement Exceptions/Deviations Explanation

If the proposing Vendor desires to deviate from the Vendor Agreement language, all such deviations must be listed on this attribute, with complete and detailed conditions and information included. TIPS will consider any deviations in its proposal award decisions, and TIPS reserves the right to accept or reject any proposal based upon any deviations indicated below. In the absence of any deviation entry on this attribute, the proposer assures TIPS of their full compliance with the Vendor Agreement.

No response

8
9

Felony Conviction Notice

Texas Education Code, Section 44.034, Notification of Criminal History, Subsection (a), states "a person or business entity that enters into a contract with a school district must give advance notice to the district if the person or an owner or operator of the business entity has been convicted of a felony. The notice must include a general description of the conduct resulting in the conviction of a felony." Subsection (b) states "a school district may terminate a contract with a person or business entity if the district determines that the person or business entity failed to give notice as required by Subsection (a) or misrepresented the conduct resulting in the conviction. The district must compensate the person or business entity for services performed before the termination of the contract." (c) This section does not apply to a publicly held corporation. The person completing this proposal certifies that they are authorized to provide the answer to this question.

Select A., B. or C.

A. My firm is a publicly held corporation; therefore, this reporting requirement is not applicable.

OR B. My firm is not owned nor operated by anyone who has been convicted of a felony, OR

C. My firm is owned or operated by the following individual(s) who has/have been convicted of a felony. (if you answer C below, you are required to provide information in the next attribute.

A. Firm is a publicly held corporation.

90 **If you answered C. My Firm is owned or operated by a felon to the previous question, you are REQUIRED TO ANSWER THE FOLLOWING QUESTIONS.**

If you answered C. My Firm is owned or operated by a felon to the previous question, you must provide the following information.

1. Name of Felon(s)
2. The named person's role in the firm, and
3. Details of Conviction(s).

91 **Required Confidentiality Claim Form**

Required Confidentiality Claim Form

This completed form is required by TIPS. By submitting a response to this solicitation you agree to download from the "Attachments" section, complete according to the instructions on the form, then upload the completed form, with any confidential attachments, if applicable, to the "Response Attachments" section titled "Confidentiality Form" in order to provide to TIPS the completed form titled, "CONFIDENTIALITY CLAIM FORM". **THIS REQUIRED PROCESS IS THE ONLY WAY TO DEEM PROPOSAL DOCUMENTATION CONFIDENTIAL ANY OTHER CONFIDENTIAL DESIGNATION WILL BE DISREGARDED UNLESS THE DOCUMENT IS IDENTIFIED BY AND ATTACHED TO THE REQUIRED FORM.** By completing this process, you provide us with the information we require to comply with the open record laws of the State of Texas as they may apply to your proposal submission. If you do not provide the form with your proposal, an award will not be made if your proposal is qualified for an award, until TIPS has an accurate, completed form from you.

Read the form carefully before completing and if you have any questions, email bids@tips-usa.com.

92 **Member Access to Vendor Proposal**

Notwithstanding any other information provided in this solicitation or Vendor designation of certain documentation as confidential or proprietary, Vendor's acceptance of this TIPS Contract constitutes Vendor's consent to the disclosure of Vendor's comprehensive proposal, including any information deemed confidential or proprietary, **to TIPS Members**. The proposing Vendor agrees that TIPS shall not be responsible or liable for any use or distribution of information or documentation by TIPS Members or any other party. By submitting this proposal, Vendor certifies the foregoing.

93 **Choice of Law clauses with TIPS Members**

If the vendor is awarded a contract with TIPS under this solicitation, the vendor agrees to make any Choice of Law clauses in any contract or agreement entered into between the awarded vendor and with a TIPS member entity to read as follows: "Choice of law shall be the laws of the state where the customer resides" or words to that effect.

94 **Venue of dispute resolution with a TIPS Member**

In the event of litigation or use of any dispute resolution model when resolving disputes with a TIPS member entity as a result of a transaction between the vendor and TIPS or the TIPS member entity, the Venue for any litigation or other agreed upon model shall be in the state and county where the customer resides unless otherwise agreed by the parties at the time the dispute resolution model is decided by the parties.

95 **Automatic renewal of contracts or agreements with TIPS or a TIPS member entity**

This clause **DOES NOT** prohibit multiyear contracts or agreements with TIPS member entities. Because TIPS and TIPS members are governmental entities subject to laws that control appropriations of funds during their fiscal years for contracts and agreements to provide goods and services, does the Vendor agree to limit any automatic renewal clauses of a contract or agreement executed as a result of this TIPS solicitation award to not longer than "month to month" and at the TIPS contracted rate.

96 Indemnity Limitation with TIPS Members

Texas and other states restrict by law or state Constitution the ability of a governmental entity to indemnify others. TIPS requires that any contract entered into between a vendor and TIPS or a TIPS Member as a result of an award under this Solicitation limit the requirement that the Customer indemnify the Vendor by either eliminating any such indemnity requirement clauses in any agreements, contracts or other binding documents **OR** by prefacing all indemnity clauses required of TIPS or the TIPS Member entity with the following: "To the extent permitted by the laws or the Constitution of the state where the customer resides, ".

Agreement is a required condition to award of a contract resulting from this Solicitation.

97 Arbitration Clauses

Except for certain circumstances, TIPS forbids a mandatory arbitration clause in any contract or agreement entered into between the awarded vendor with TIPS or a TIPS member entity. Does the vendor agree to exclude any arbitration requirement in any contracts or agreement entered into between TIPS or a TIPS member entity through an awarded contract with TIPS?

98 Required Vendor Sales Reporting

By responding to this Solicitation, you agree to report to TIPS all sales made under any awarded Agreement with TIPS. Vendor is required to report all sales under the TIPS contract to TIPS. If the TIPS Member entity requesting a price from the awarded Vendor requests the TIPS contract, Vendor must include the TIPS Contract number on any communications with the TIPS Member entity. If awarded, you will be provided access to the Vendor Portal. To report sales, login to the TIPS Vendor Portal and click on the PO's and Payments tab. Pages 3-7 of the Vendor Portal User Guide will walk you through the process of reporting sales to TIPS. Please refer to the TIPS Accounting FAQ's for more information about reporting sales and if you have further questions, contact the Accounting Team at accounting@tips-usa.com. The Vendor or vendor assigned dealers are responsible for keeping record of all sales that go through the TIPS Agreement and submitting same to TIPS.

99 Upload of Current W-9 Required

Please note that you are required by TIPS to upload a current W-9 Internal Revenue Service (IRS) Tax Form for your entity. This form will be utilized by TIPS to properly identify your entity.

1000 CERTIFICATION REGARDING BOYCOTTING CERTAIN ENERGY COMPANIES (Texas law as of September 1, 2021)

By submitting a proposal to this Solicitation, you certify that you agree, when it is applicable, to the following required by Texas law as of September 1, 2021:

If (a) company is not a sole proprietorship; (b) company has ten (10) or more full-time employees; and (c) this contract has a value of \$100,000 or more that is to be paid wholly or partly from public funds, the following certification shall apply; otherwise, this certification is not required. Pursuant to Tex. Gov't Code Ch. 2274 of SB 13 (87th session), the company hereby certifies and verifies that the company, or any wholly owned subsidiary, majority-owned subsidiary, parent company, or affiliate of these entities or business associations, if any, does not boycott energy companies and will not boycott energy companies during the term of the contract. For purposes of this contract, the term "company" shall mean an organization, association, corporation, partnership, joint venture, limited partnership, limited liability partnership, or limited liability company, that exists to make a profit. The term "boycott energy company" shall mean "without an ordinary business purpose, refusing to deal with, terminating business activities with, or otherwise taking any action intended to penalize, inflict economic harm on, or limit commercial relations with a company because the company (a) engages in the exploration, production, utilization, transportation, sale, or manufacturing of fossil fuel-based energy and does not commit or pledge to meet environmental standards beyond applicable federal and state law, or (b) does business with a company described by paragraph (a)." See Tex. Gov't Code § 809.001(1).

101 CERTIFICATION PROHIBITING DISCRIMINATION AGAINST FIREARM AND AMMUNITION INDUSTRIES (Texas law as of September 1, 2021)

By submitting a proposal to this Solicitation, you certify that you agree, when it is applicable, to the following required by Texas law as of September 1, 2021:

If (a) company is not a sole proprietorship; (b) company has at least ten (10) full-time employees; (c) this contract has a value of at least \$100,000 that is paid wholly or partly from public funds; (d) the contract is not excepted under Tex. Gov't Code § 2274.003 of SB 19 (87th leg.); and (e) governmental entity has determined that company is not a sole-source provider or governmental entity has not received any bids from a company that is able to provide this written verification, the following certification shall apply; otherwise, this certification is not required.

Pursuant to Tex. Gov't Code Ch. 2274 of SB 19 (87th session), the company hereby certifies and verifies that the company, or association, corporation, partnership, joint venture, limited partnership, limited liability partnership, or limited liability company, including a wholly owned subsidiary, majority-owned subsidiary parent company, or affiliate of these entities or associations, that exists to make a profit, does not have a practice, policy, guidance, or directive that discriminates against a firearm entity or firearm trade association and will not discriminate during the term of this contract against a firearm entity or firearm trade association. For purposes of this contract, "discriminate against a firearm entity or firearm trade association" shall mean, with respect to the entity or association, to: "(1) refuse to engage in the trade of any goods or services with the entity or association based solely on its status as a firearm entity or firearm trade association; (2) refrain from continuing an existing business relationship with the entity or association based solely on its status as a firearm entity or firearm trade association; or (3) terminate an existing business relationship with the entity or association based solely on its status as a firearm entity or firearm trade association. See Tex. Gov't Code § 2274.001(3) of SB 19. "Discrimination against a firearm entity or firearm trade association" does not include: "(1) the established policies of a merchant, retail seller, or platform that restrict or prohibit the listing or selling of ammunition, firearms, or firearm accessories; and (2) a company's refusal to engage in the trade of any goods or services, decision to refrain from continuing an existing business relationship, or decision to terminate an existing business relationship to comply with federal, state, or local law, policy, or regulations or a directive by a regulatory agency, or for any traditional business reason that is specific to the customer or potential customer and not based solely on an entity's or association's status as a firearm entity or firearm trade association." See Tex. Gov't Code § 2274.001(3) of SB 19.

102 CERTIFICATION REGARDING CERTAIN FOREIGN-OWNED COMPANIES IN CONNECTION WITH CRITICAL INFRASTRUCTURE (Texas law as of September 1, 2021)

By submitting a proposal to this Solicitation, you certify that you agree to the following required by Texas law as of September 1, 2021:

Proposing Company is prohibited from entering into a contract or other agreement relating to critical infrastructure that would grant to the company direct or remote access to or control of critical infrastructure in this state, excluding access specifically allowed by the Proposing Company for product warranty and support purposes. Company, certifies that neither it nor its parent company nor any affiliate of company or its parent company, is (1) owned by or the majority of stock or other ownership interest of the company is held or controlled by individuals who are citizens of China, Iran, North Korea, Russia, or a designated country; (2) a company or other entity, including governmental entity, that is owned or controlled by citizens of or is directly controlled by the government of China, Iran, North Korea, Russia, or a designated country; or (3) headquartered in China, Iran, North Korea, Russia, or a designated country. For purposes of this contract, "critical infrastructure" means "a communication infrastructure system, cybersecurity system, electric grid, hazardous waste treatment system, or water treatment facility." See Tex. Gov't Code § 2274.0101(2) of SB 1226 (87th leg.). The company verifies and certifies that company will not grant direct or remote access to or control of critical infrastructure, except for product warranty and support purposes, to prohibited individuals, companies, or entities, including governmental entities, owned, controlled, or headquartered in China, Iran, North Korea, Russia, or a designated country, as determined by the Governor.

103 Acknowledgement

By submitting this proposal, Vendor certifies that it has read, examined, and understands all portions of this solicitation including but not limited to all attribute questions, attachments, solicitation documents, bid notes, and the Vendor Agreement(s). Vendor certifies that, if found to be necessary by the proposing vendor, vendor has sought the advice of counsel in understanding all portions of the solicitation.

Required Confidential Information Status Form

BK Technologies, Inc.

Name of company

Carolyn French, Contract Administrator

Printed Name and Title of Authorized Company Officer declaring below the confidential status of material

7100 Technology Drive West Melbourne, FL 32904 321-237-1306

Address City State ZIP Phone

ALL VENDORS MUST COMPLETE THE ABOVE SECTION

CONFIDENTIAL INFORMATION SUBMITTED IN RESPONSE TO COMPETITIVE PROCUREMENT REQUESTS OF EDUCATION SERVICE CENTER REGION 8 AND TIPS (ESC8) IS GOVERNED BY TEXAS GOVERNMENT CODE, CHAPTER 552

If you consider any portion of your proposal to be confidential and not subject to public disclosure pursuant to Chapter 552 Texas Gov't Code or other law(s), you must attach a copy of all claimed confidential materials to this COMPLETED form, name the combined PDF documents "CONFIDENTIAL", and upload the combined, confidential documents with your proposal submission. If a document is not attached, it will not be considered confidential. The copy uploaded will be the sole indicator of which material in your proposal, if any, you deem confidential in the event TIPS/ESC 8 receives a Public Information Request. If ESC 8 receives a request, any responsive documentation not deemed confidential by you in this manner will be automatically released. For documents deemed confidential by you in this manner, ESC8 and TIPS will follow procedures of controlling statute(s) regarding any claim of confidentiality and shall not be liable for any release of information required by law, including Attorney General determination. Notwithstanding any other information provided in this solicitation or Vendor designation of certain documentation as confidential or proprietary, Vendor's acceptance of this TIPS Vendor Agreement constitutes Vendor's consent to the disclosure of Vendor's comprehensive proposal, including any information deemed confidential or proprietary, to TIPS Members. The proposing Vendor agrees that TIPS shall not be responsible or liable for any use or distribution of information or documentation by TIPS Members or any other party.

ALL VENDORS MUST COMPLETE ONE OF THE TWO OPTIONS BELOW

OPTION 1:

I **DO CLAIM** parts of my proposal to be confidential and **DO NOT** desire to expressly waive a claim of confidentiality of all information contained within our response to the solicitation. The attached contains material from our proposal that I classify and deem confidential under Texas Gov't Code Sec. 552 or other law(s) and I invoke my statutory rights to confidential treatment of the enclosed materials.

IF CLAIMING PARTS OF YOUR PROPOSAL CONFIDENTIAL, YOU MUST ATTACH THE SHEETS TO THIS FORM AND LIST THE NUMBER OF TOTAL PAGES THAT ARE CONFIDENTIAL.

ATTACHED ARE COPIES OF _____ PAGES OF CLAIMED CONFIDENTIAL MATERIAL FROM OUR PROPOSAL THAT WE DEEM TO BE NOT PUBLIC INFORMATION AND WILL DEFEND THAT CLAIM TO THE TEXAS ATTORNEY GENERAL IF REQUESTED WHEN A PUBLIC INFORMATION REQUEST IS MADE FOR OUR PROPOSAL.

Signature _____ Date _____

OR

OPTION 2:

I **DO NOT CLAIM** any of my proposal to be confidential, complete the section below.

Express Waiver: I desire to expressly waive any claim of confidentiality as to any and all information contained within our response to the competitive procurement process (e.g. RFP, CSP, Bid, RFQ, etc.) by completing the following and submitting this sheet with our response to Education Service Center Region 8 and TIPS.

Signature Carolyn French Digitally signed by Carolyn French Date: 2021.12.07 13:52:30 -05'00' Date 12/07/2021

BK Technologies Warranty Information

STANDARD LIMITED WARRANTY

BK Technologies ("Warrantor") warrants to the Purchaser of new radio equipment of the Warrantor's manufacture that such equipment shall be free from material defects in material and workmanship for the period commencing upon the date of purchase and continuing for the following specified period of time after that date:

Basic Unit (Radio)	2 years
Battery	1 year
Antenna	1 year
Other Accessories	1 year

Extended warranty options on the basic unit (radio) are provided below. There is NO extended warranty offered on the repeater, antenna, battery and all other accessories. Equipment and accessory items not manufactured by the Warrantor carry the standard warranty of the manufacturer thereof and are not covered by this warranty. FOR THE AVOIDANCE OF DOUBT, WARRANTOR MAKES NO REPRESENTATIONS OR WARRANTIES WITH RESPECT TO ANY THIRD PARTY PRODUCT, INCLUDING, WITHOUT LIMITATION, ANY WARRANTY OF MERCHANTABILITY, WARRANTY OF FITNESS FOR A PARTICULAR PURPOSE, WARRANTY OF TITLE, OR WARRANTY AGAINST INFRINGEMENT OF INTELLECTUAL PROPERTY RIGHTS OF A THIRD PARTY, WHETHER EXPRESS OR IMPLIED BY LAW, COURSE OF DEALING, COURSE OF PERFORMANCE, USAGE OF TRADE OR OTHERWISE.

This warranty does not cover equipment which has been: (a) damaged or not maintained as reasonable or necessary, (b) modified in any way, including the removal of the serial tag, (c) improperly installed, (d) repaired by someone other than the Warrantor or an Authorized Warranty Repair Station, (e) used in a manner or purpose for which the equipment was not intended, or (f) used with aftermarket (any accessory that is not issued/sold by Warrantor) accessories. Subject to compliance with the terms of this warranty, with respect to the applicable equipment during the applicable warranty period, Warrantor shall, in its sole discretion, repair or replace the applicable equipment.

IN NO EVENT WILL WARRANTOR BE LIABLE TO THE PURCHASER OR ANY THIRD PARTY FOR ANY LOSS OF USE, REVENUE OR PROFIT OR LOSS OF DATA OR DIMINUTION IN VALUE, OR ANY CONSEQUENTIAL, INDIRECT, INCIDENTAL, SPECIAL, EXEMPLARY, OR PUNITIVE DAMAGES WHETHER ARISING OUT OF BREACH CONTRACT, TORT (INCLUDING NEGLIGENCE) OR OTHERWISE, REGARDLESS OF WHETHER SUCH DAMAGES WERE FORESEEABLE AND WHETHER OR NOT WARRANTOR HAS BEEN ADVISED OF THE POSSIBILITY OF SUCH DAMAGES, AND NOTWITHSTANDING THE FAILURE OF ANY AGREED OR OTHER REMEDY OF ITS ESSENTIAL PURPOSE.

To obtain warranty repair or replacement, the customer must return the equipment properly packaged and freight prepaid to the Warrantor or any Authorized Warranty Repair Station. The equipment will be returned freight prepaid from the Warrantor only.

EXCEPT FOR THE WARRANTY SET FORTH IN THE FIRST PARAGRAPH ABOVE, WARRANTOR MAKES NO WARRANTY WHATSOEVER WITH RESPECT TO THE EQUIPMENT, INCLUDING, WITHOUT LIMITATION, ANY WARRANTY OF MERCHANTABILITY, WARRANTY OF FITNESS FOR A PARTICULAR PURPOSE, WARRANTY OF TITLE, OR WARRANTY AGAINST INFRINGEMENT OF INTELLECTUAL PROPERTY RIGHTS OF A THIRD PARTY, WHETHER EXPRESS OR IMPLIED BY LAW, COURSE OF DEALING, COURSE OF PERFORMANCE, USAGE OF TRADE OR OTHERWISE. No person, whether in the employment of the Warrantor or not, is authorized to make oral or other modifications, extensions, or additions to this warranty, unless approved in writing by an authorized officer of the Warrantor at its home office.

The liability of the Warrantor is expressly limited to the repair or replacement of the equipment as described herein. SUCH REMEDY WILL BE THE PURCHASER'S SOLE AND EXCLUSIVE REMEDY AND WARRANTOR'S ENTIRE LIABILITY FOR ANY BREACH OF THIS LIMITED WARRANTY. Warrantor shall not be liable to the Purchaser and the Purchaser shall, upon his tender of the purchase price for the equipment, agree that the Warrantor shall not be liable, in any respect, for the equipment or damages caused thereby, except as prescribed herein, whether such liability is predicated upon negligence, tort, contract or other product liability theory.

BK Technologies EXTENDED WARRANTY* on Portables, Mobiles and Base Stations

KNG Series:

2 PLUS 1 PROGRAM

Extends standard 2 year warranty to 3 years total
LFW0012

\$179.00

2 PLUS 2 PROGRAM

Extends standard 2 year warranty to 4 years total
LFW0024

\$229.00

2 PLUS 3 PROGRAM

Extends standard 2 year warranty to 5 years total
LFW0036

\$279.00

BKR Series:

2 PLUS 1 PROGRAM

Extends standard 2 year warranty to 3 years total
BFW0012

\$299.00

2 PLUS 3 PROGRAM

Extends standard 2 year warranty to 5 years total
BFW0036

\$499.00

***EXTENDED WARRANTY (not offered on repeaters, antennas, batteries and all other accessories; certain restrictions may apply on international warranties)**

All repairs must be performed by an authorized BK Technologies service center during the life of the warranty. Except for duration and factory-only repair, extended warranties are identical to our standard 2 year warranty. Factory extended warranties cover all BK Technologies portables, mobiles and base stations and must be purchased at point of sale.



**THE INTERLOCAL PURCHASING SYSTEM (TIPS)
TEXAS REGION 8 EDUCATION SERVICE CENTER (Region 8 ESC)
RFP 211101 Two Way Radio and Wireless Communication**



BK Technologies, Inc.
7100 Technology Drive
W. Melbourne, FL 32904
www.bktechnologies.com

DUNS: 612003681
FEIN: 59-3486297
Small Business Classification

Contacts:

Carolyn French
Contract Administrator
321-237-1306
cfrench@bktechnologies.com

Jerry Beauchamp
Regional Sales Manager
512-202-7416
jbeauchamp@bktechnologies.com



December 09, 2021

Via Electronic Submission

TIPS/Region 8 ESC
4845 US Hwy. 271 North
Pittsburg, Texas 75686
Toll Free: (866) 839-8477
Email: bids@tips-usa.com
Website: www.tips-usa.com
Submittal via: <http://tips.ionwave.net>

Re: RFP 211101 Two Way Radio and Wireless Communication

To Whom It May Concern:

BK Technologies, Inc. (BK Technologies) is pleased to submit the following response to The Interlocal Purchasing System (TIPS) Lead Agency – Region 8 Education Service Center’s request for proposal for ***Two Way Radios and Wireless Communications***. We look forward to continuing our support of TIPS members through this new opportunity.

We are a U.S. small business manufacturer based in West Melbourne and have been in business for more than seventy (70) years. BK radios are developed, manufactured, and assembled in the United States. As the original equipment manufacturer (OEM) of our products, we design, manufacture, and market wireless communications P25 products consisting of two-way land mobile radios, repeaters, base stations, and related components and subsystems. Our mission is to remain deeply rooted in the critical communications industry for all public safety heroes, first responders, and military. We are also proud to say that more than ten percent (10%) of our work force are veterans.

Advantages to selecting BK Technologies for your TIPs Member’s needs.

1. NO Licensing fees charged for the life of the radio.
2. NO firmware fees for (enhancements/patches) charged for the life of the radio. Download at NO cost from the Customer Centric web portal.
3. NO cost for programming software updates. Registered users can download from the Customer Centric web portal.
4. NO Proprietary features.
5. FREE training webinars – available on our YouTube channel
6. MIL-STD and ISO 9001:2015 certified.
7. Standard 2 year warranty on radios with option to purchase a 3-year extended warranty, for a total of 5 years of coverage.

BK Technologies has 4 core tenants we follow in our daily mission:

1. Customer Centric
2. Tenacious commitment to quality
3. Continuous Improvement
4. Growth

We are pleased to offer a thirty-four percent (34%) discount on all items in our catalog, except Extended Warranties. Extended Warranties will be provided at retail list price. As noted in the RFP, shipping is not included in the pricing. We will not be working with any Resellers/Dealers under this RFP.

BK Technologies stands ready to provide *Two Way Radios and Wireless Communications* for the above referenced RFP and are confident they will meet and exceed current and future communication needs of TIPS members. In addition, we are prepared to provide world class solutions with industry leading service and support to the full range of TIPS members' needs.

Very truly yours,

A handwritten signature in blue ink, appearing to read 'Carolyn French', with a horizontal line drawn through the signature.

Carolyn French
Contract Administrator

Capability Statement

BK TECHNOLOGIES BACKGROUND			
Company Name:	BK Technologies, Inc.	SOCIO-ECONOMIC PROGRAMS	
		Small	Yes <input checked="" type="checkbox"/> No <input type="checkbox"/>
Address:	7100 Technology Drive West Melbourne, FL 32904	Small Disadvantaged	Yes <input type="checkbox"/> No <input checked="" type="checkbox"/>
		8(a)	Yes <input type="checkbox"/> No <input checked="" type="checkbox"/>
Contact's Name:	Jerry Beauchamp Regional Sales Manager	Women Owned	Yes <input type="checkbox"/> No <input checked="" type="checkbox"/>
Telephone Number:	512-202-7416 cell	HUBZone	Yes <input type="checkbox"/> No <input checked="" type="checkbox"/>
Email Address:	jbeauchamp@bktechnologies.com	Veteran Owned	Yes <input type="checkbox"/> No <input checked="" type="checkbox"/>
Website:	www.bktechnologies.com	Service-Disabled Veteran	Yes <input type="checkbox"/> No <input checked="" type="checkbox"/>
Fax Number:	321-676-3519	Certifications: ISO9001/2015, NIFC, NIST, Wildland Fire Approvals: FM Approved, AES, OTAR APCO P25 manufacturer of American Made two-way radios for first responders, DOD, Federal, State & local, Public Safety, Air Force, Navy, USMC, Army APCO P25 portables, mobiles, base stations & repeaters, ALL Band Portable radios with LTE for First Net, BKR family of P25 radios	
DUNS Number:	612003681		
Cage Code:	8BAN1		
FEIN:	59-3486297		
SERVICES/PRODUCTS		NAICS CODE	DESCRIPTION
<ul style="list-style-type: none"> Tactical Communications Land Mobile Radios (LMR) P25 Digital Radios/Narrowband Radios Encrypted Radios/OTAR/OTAP/LLA/GPS 		<ul style="list-style-type: none"> 334220 Size Standard	Radio and Television Broadcasting and Wireless Communications Equipment Manufacturing \$ - None / 750 Employees
<ul style="list-style-type: none"> Land Mobile Radios (LMR) P25 Digital Radios/Narrowband Radios Encrypted Radios/OTAR/OTAP/LLA/GPS 		<ul style="list-style-type: none"> 334290 Size Standard	Other Communications Equipment Manufacturing \$ - None / 750 Employees
<ul style="list-style-type: none"> Land Mobile Radios (LMR) P25 Digital Radios/Narrowband Radios Encrypted Radios/OTAR 		<ul style="list-style-type: none"> 335929 Size Standard	Other Communication and Energy Wire Manufacturing \$ - None / 1000 Employees
<ul style="list-style-type: none"> Land Mobile Radios (LMR) P25 Digital Radios Subscriber radios and cabling Subscriber Equipment 		<ul style="list-style-type: none"> 811213 335929 517919 	Communication Equipment Repair & Maintenance Other Communication and Energy Wire Manufacturing All Other Telecommunications
MAJOR PAST PERFORMANCES		REFERENCES	
<ul style="list-style-type: none"> NIFC center has a cache of over 6,000 BK radios in place for incident command teams for fighting forest fires, natural disasters, or national incidents. Department of Interior Digital Narrowband Radio APCOP25 ID/IQ Firm Fixed / current supplier since 2010 		DOI/National Interagency Fire Center (NIFC) Brandon Diemer Electronics Engineer/Spectrum Management Supervisor National Interagency Fire Center 3833 S. Development Ave. Boise, ID 83705 Phone: 208-387-5881 Email: bdiemer@blm.gov	
<ul style="list-style-type: none"> FEDSIM - USDA Forest Service Narrowband APCO P25 Radios Firm Fixed Price February 2010 purchased \$6.4 Million variety of our Two-Way Equipment / APCOP25 		DOI/USDA-USFS Michael S. DeSouto US Forest Service 5162 Valleypointe Roanoke, VA 24109 Phone: 540-265-5171 Office Email: mdesouto@fs.fed.us	

BKR 5000 P25 Portable Radio Specification Sheet



Public Safety Communications

The BKR Series Portable Radio offers exceptional performance in a lightweight form factor, incorporating industry-leading RF and electrical specifications in a rugged, submersible housing.

- ✓ Large, Bright, Color Display and Top Display
- ✓ Enhanced Noise Cancellation
- ✓ 3 Programmable Side Buttons
- ✓ Loud, Crisp Audio
- ✓ P25 Trunking Option
- ✓ OTAP, OTAR
- ✓ TDMA Phase II
- ✓ IP68 Water and Dust Protection
- ✓ Internal GPS and Bluetooth Hardware
- ✓ USB PC Programmable
- ✓ AES256, AES128, DES-OFB/CFB/XL
- ✓ MIL-STD 810 C/D/E/F/G
- ✓ Advanced System Key

BKR 5000 P25 Portable Radio

Color Display	6-line display 3 customizable display lines of 16 characters 2 lines of status icons 1 line of soft-keys
Keypad	Back-lit with 4 customizable soft-keys
Channel Capacity Memory	5000
VHF	BKR 5000-V
Buttons and Switches	Oversized PTT, On/Off Volume control, orange emergency button, 16 position rotary switch, 4 positions concentric zone switch, 3 programmable side buttons, programmable collar switch



Transmitter Certifications

VHF (FCC/IC)	FCC ID: K95BKR5000-V, IC ID: 2116A-BKR5000V
---------------------	---

FCC Emission Designators

FCC Emission Designators	11K0F3E, 8K10F1D, 8K10F1E, 8K10F1W
---------------------------------	------------------------------------

Power Supply

Power Supply	Rechargeable Li-Ion or AA-Alkaline Battery Pack
---------------------	---



- **Exceptional Battery Life**
Up to 12 hours with standard capacity.
- **Enhanced Voice Quality**
The BKR Series radio uses the Third Generation Enhanced IMBE P25 dual-rate Vocoder (AMBE+2 V1.80) for robust performance in noisy environments.
- **6 Line Display**
2 Status Icons, 3 customizable display lines of 16 characters, and 1 line of soft-keys.
- **Environmental Reliability**
Designed and tested to MIL-STD-810 and IP-68 rated.
- **DHS P25 CAP Approved**
DHS P25 Compliance Assessment Program Tested and Approved Public Safety Grade (TIA Class A).
- **Robust Receiver**
Improved range and less susceptibility to interference.
- **Simulcast Operation**
C4FM and CQPSK modes for robust performance in simulcast (including LSM) systems.
- **Conventional Signaling**
Analog MDC-1200 and Digital APCO P25 for conventional operation.
- **Internal Bluetooth Hardware**
BK Technologies Bluetooth is a standard feature for wireless accessory connectivity.
- **Integrated GPS/Location Services**
P25 Location Services per TIA-102-BAJB are supported, Tier I Conventional, Tier II Trunking.

- **Scan Modes**
Dual priority scan, trunked priority scan, dual-mode scan, channel, zone and vote scan.
- **Encryption**
The BKR Series radios support AES256, AES128, DES-OFB/CFB/XL encryption and is compatible with Motorola's ADP.
- **Multi-key/Multi-Algorithm**
Multi-Key/Multi-Algorithm Encryption.
- **OTAR Project 25 Over-the-Air Rekey**
Allows the encryption key to be changed wirelessly on P25 conventional and P25 trunking systems.
- **Encryption Key Fill**
TIA-102AACD compliant and interoperable with commercially available key fill devices.
- **P25 9600 Baud Trunking**
The BKR Series radio operates on 9600 baud P25 Compliant Trunking Systems and has been P25 Compliance Assessment Program (P25CAP) tested and proven interoperable.
- **OTAP**
BKR Series radios support Over-the-Air Programming (OTAP) for operational efficiency.
- **TDMA Phase 2 Trunking**
BKR Series VHF is P25 Phase 2 (TDMA) capable supporting double the voice capacity of Phase 1 trunking systems.
- **Radio Authentication**
P25 Radio Authentication per TIA-102-AACE-A is supported.

Portable Radio Features

The BKR platform meets today's demanding mission-critical voice requirements and is future-ready to expand with changing standards and mission requirements.

- **BKR0582** OTAP, Trunking
- **BKR0570** OTAR (Trunking & Conventional)
- **BKR0579** P25 FDMA Trunking
- **BKR0593** P25 TDMA Trunking
- **BKR5780** Radio Authentication
- **BKR0574** DES & AES FIPS140-2 Level 2 Encryption w/ "tamper proof"
- **BKR0581** Multi-cast Vote Scan Plus

Receiver Minimum Performance Specifications

		VHF
Frequency Range		136-174 MHz
Channel Spacing		25/12.5 kHz
Max Frequency Separation		Full Band
Rated Audio Output Power		3 Watts
Analog Sensitivity	12dB SINAD	0.2 μ V / -121.0 dBm
Digital Sensitivity	1%BER	0.277 μ V / -118.15 dBm
	5%BER	0.2 μ V / -121.0 dBm
Selectivity	25 kHz	\geq 80dB
	12.5 kHz	\geq 70dB
Intermodulation		\geq 78 dB
Spurious Rejection		\geq 80 dB
FM Hum and Noise	25 kHz	\geq 50 dB
	12.5 kHz	\geq 44 dB
Audio Distortion		2%

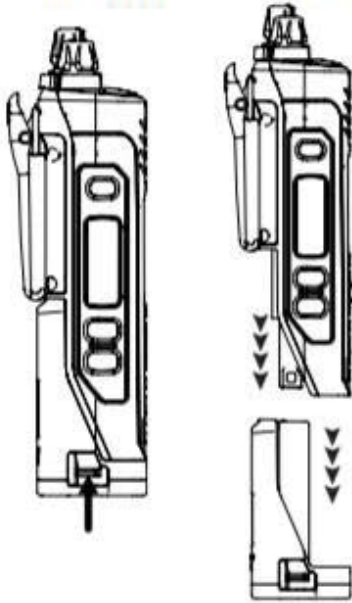
Transmitter Minimum Performance Specifications

		VHF
Frequency Range		136-174 MHz
Channel Spacing		25/12.5 kHz
Max Frequency Separation		Full Band
Rated RF Output Power		1- 6 Watts
Frequency Stability (-30°C to +60°C, +25°C Reference)		\pm 1 ppm
Modulation Limiting		\pm 5/2.5 kHz
Emissions (Conducted and Radiated)		\geq 75 dB
Audio Response		+1, -3 dB
FM Hum and Noise	25 kHz	\geq 50dB
	12.5 kHz	\geq 44dB
Audio Distortion		3%

BKR Series Batteries

Battery Capacity/Type	Dimensions (HxWxD)	Part Number	Capacity
Li-Ion Smart 4900 mAh	3.0 x 2.3 x 1.8	BKR0101	4900 mAh > 12 Hours
AA Clamshell	5.2 x 2.3 x 2.2	BKR0120	12 cells > 12 Hours

Removing the Battery



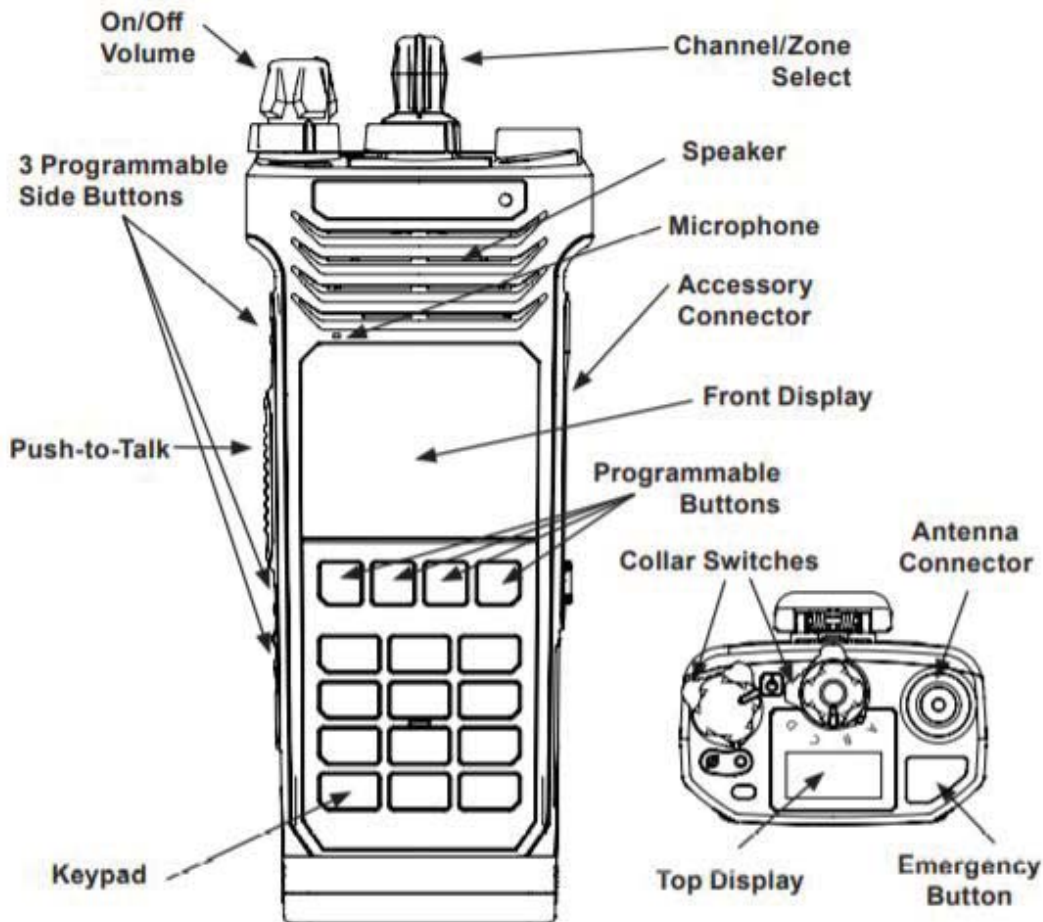
1. Push in the release tabs on each side of the battery.
2. Pull the battery downwards away from the radio.

NOTE: All information programmed into the radio is maintained even when the battery pack is removed.

The **BKR 5000** display can be programmed for a variety of options and functionality. Check with your Sales Representative or Communications Officer for information on the programmed functions of your radio.

NOTE: The **BKR 5000** display can be programmed to display different information when a trunking or conventional channel is selected.

Radio Controls



BKR 5000 Portable Military Standards C,D,E, F, & G

	MIL-STD 810G	
	Method	Proc. / Cat .
Low Pressure	500.5	I, II
High temperature	501.5	I, II
Low Temperature	502.5	I, II
Temperature Shock	503.5	1-D
Contamination by Fluids	504.1	II
Solar Radiation	505.5	I
Rain/Blown Rain	506.5	I
Humidity	507.5	II
Salt Fog	509.5	I
Dust and Sand	510.5	I, II
Immersion	512.5	I
Vibration	514.6	I/4
Shock	516.6	I, IV, VI

Encryption

BKR 5000 Portable 5000 Channel Encryption Capabilities

Supported Algorithms	AES-256, AES-128, DES-OFB, DES-CFB, ADP
Encryption Keys	1024 Storage Location Number (SLN)/ Common Key Reference (CKR)
Frame Re-sync Interval	P25 Common Air Interface 360 mS
Keyloading	IAW TIA-102_AACD (KVL-3000/ 4000}
Synchronization	OFB- Output Feedback or CFB- Cyber Feedback
Type	Digital Encryption
Key Storage	Programmable Volatile / Non-Volatile
Key Erasure	Keyboard Command and KMF
Standards	FIPS-140-2 Level 2 FIPS 197

Dimensions with Battery

	Inches	Millimeters
Width	2.3	59.6
Depth	1.8	45.7
Height	6.5	166.2
Weight	Pounds	Grams
Weight (with battery)	1.34 lbs	608g
Weight (w/o battery)	0.89 lb	404g

Other Certifications

P25 Compliance Assessment (P25CAP) Performance	Trunked and Conventional Performance Class A
P25 Compliance Assessment (P25CAP) Interoperability	Motorola, L3Harris, Tait/Zetron

KNG/BKR SERIES PORTABLE RADIO STANDARD FEATURES



STANDARD FEATURES	KNG2 PORTABLE	BKR-5000
Conventional Analog	✓	✓
APCO P25 Digital	✓	✓
5000 Channels	✓	✓
Birdie Free	✓	✓
Alphanumeric Keypad	✓	✓
Tier 2 (No Keypad) Avail.	✓	✓
Programmable Front Buttons	✓	✓
3 Side Programmable Buttons	✓	✓
Priority Scan	✓	✓
Dual Mode Scan	✓	✓
Channel Scan	✓	✓
Group Scan	✓	✓
Emergency Signaling	✓	✓
MIL-SPEC C/D/E/F/G	✓	✓
USB Programmable	✓	✓
Talk Around	✓	✓
Text Messaging	✓	✓
Color LCD Display	✓	✓
Dual Microphones	✓	✓
Noise Cancellation	✓	✓
OTAP	✓	✓
OTAR	✓	✓
Phase II TDMA	✓	✓
DES/AES FIPS140 Level 2 Encryption	✓	✓
Multi-cast Vote Scan	✓	✓
P25 Trunking	✓	✓
Radio Authentication	✓	✓
GPS	✓	✓
Bluetooth	✓	✓

KNG/BKR SERIES PORTABLE RADIO OPTIONS



AVAILABLE OPTIONS	KNG2 PORTABLE	BKR-5000
VHF (136-174MHz)	✓	✓
UHF (440-520MHz)	✓	
7/800 (763-870MHz)	✓	
Programmable Toggle Switches	✓	
Top LCD Display		✓
Four Position (A, B, C, D) Switch		✓



BK Technologies KNG P25 Mobile Radio



Public Safety Communications

The KNG Series radio offers exceptional performance in a lightweight form. With industry leading RF and electrical specifications in a rugged, submersible housing, the KNG Series platform provides the performance needed for the most demanding applications making this the perfect radio for all aspects of government, public safety and first responder missions.

- ✓ P25 Trunking Option
- ✓ TDMA Phase II Compatible
- ✓ IP54 Water and Dust Protection
- ✓ USB PC Programmable
- ✓ NIST-Certified AES, FIPS 140-2, & DES/OFB/CFB/XL
- ✓ MIL-STD 810 C/D/E/F/G
- ✓ Cloning to KNG & Legacy Series



		
	KNG Mobile Radio	KNG Remote Control Head (KAA0660)
Display	Alpha-numeric Touch Screen Display The KNG Mobile's innovative color TFT touch screen display solves many issues seen in existing mobile radio control heads. Day or night, get all the information you need right at your fingertips.	
Channel Capacity	5000	5000
Memory	64 MB Volatile 256 MB Non-Volatile (Flash)	64 MB Volatile 256 MB Non-Volatile (Flash)
VHF	KNG-M150	Compatible
UHF Range 1	KNG-M400	Compatible
UHF Range 2	KNG-M500	Compatible
700/800 MHz	KNG-M800	Compatible

Power and Current Drain

Power Supply	13.8 V DC ±20% Negative Ground
Transient Protection	Per EIA-374-A
Standby Current @ 13.8 V	0.15A All models
Receive Current Rated Audio @ 13.8 V	2.5A All Models
Transmit Current @ Rated Power	VHF (50 W) 15A, VHF(110 W) 22A, UHF (50W) 15A, 700/800 MHz 10 A

HCH - Handheld Control Head

Compatible with VHF, UHF, & 800MHz KNG Radios, labels included.

Built in Microphone



Full Color Touch Screen
5 Lines: 3 Lines text (14 Characters), 2 Lines Icons, programmable touch keys

Smart phone Style Contextual Display

Built in Speaker (on reverse side)

Easy to use, large back lit menu navigation buttons

Large back lit, programmable menu navigation buttons

Long 6' spring-like power cord



Some Key Benefits

- ▶ **Innovative Touch Screen Display**
Touch screen display provides unparalleled level of end-user customizing, ease of use, and expansion as new technologies are integrated with Project 25 Standards
- ▶ **Enhanced Voice Quality**
The KNG Series radio uses the Third Generation Enhanced IMBE Project 25 dual rate Vocoder (AMBE+2 V1.80) for robust performance in noisy environments. Software based noise cancellation preserves situational awareness lost with dual microphone systems.
- ▶ **5 Line Color Bitmap Display**
Status Icons, three customizable display lines of 14 characters and soft key legends.
- ▶ **Environmental Reliability**
Designed and tested to MIL-STD-810 and IP-54 rated.
- ▶ **DHS P25 CAP Approved**
DHS P25 Compliance Assessment Program Tested and Approved Public Safety Grade (TIA Class A).
- ▶ **Robust Receiver**
Improved range and less susceptibility to interference.
- ▶ **Simulcast Operation**
C4FM and CQPSK modes for robust performance in simulcast (including LSM) systems.
- ▶ **Conventional Signaling**
Analog MDC-1200 and digital APCO Project 25 for conventional operation.
- ▶ **IP54**
Water and dust protection
- ▶ **Scan Modes**
Dual priority scan, trunked priority scan, and dual mode scan
- ▶ **NIST FIPS-140-2 Certification**
The KNG Series radios employ a NIST Certified Cryptographic module.
- ▶ **Multi-key/Multi-Algorithm**
Multi-Key/Multi-Algorithm Encryption and Over-the-Air Rekey
- ▶ **Encryption Key Fill**
TIA-102-AACD compliant and interoperable with commercially available keyfill devices.
- ▶ **Project 25 9600 Baud Trunking**
The KNG Series radio operates on 9600 baud P25 Compliant Trunking Systems and has been Project 25 Compliance Assessment Program (P25CAP) tested and proven interoperable.
- ▶ **OTAP**
KNG Series radios support Over-the-Air Programming (OTAP) for operational efficiency.
- ▶ **TDMA Phase 2**
KNG Series 700/800 MHz platforms are Project 25 Phase 2 (TDMA) ready supporting double the voice capacity of Phase 1 trunking systems.
- ▶ **Radio Authentication**
Project 25 Radio Authentication per TIA-102-AACE-A is supported.
- ▶ **GPS/Location Services**
Project 25 Location Services per TIA-102-BAJB are supported.
- ▶ **Room to Grow**
Currently uses less than 20% of available memory and processor cycles.

Mobile Radio Options

The KNG platform meets today's demanding mission critical voice requirements is future ready and able to expand with changing standards and mission requirements.

- | | | | |
|----------------------|---|--------------------|--------------------------------------|
| ▶ KZA0154 | Option, High Power, 110W VHF | KAA/KZA0589 | GPS Option for KNG Mobiles |
| ▶ KAA0660 | Remote Control Head | KAA/KZA0592 | Over the Air Programming |
| ▶ KAA0670 | Handheld Control Head | KAA/KZA0594 | P25 Phase II – 2 Slot TDMA Operation |
| ▶ KAA/KZA0569 | P25 9600 Baud Trunking | KAA/KZA0596 | P25 Radio Authentication |
| ▶ KZA0576 | DES-OFB/DES-CFB/DES-XL
AES Encryption FIPS-140-2 | BKR0261 | External Speaker 110W, 4 Ohm |
| ▶ KAA/KZA0580 | P25 Over the Air Rekeying (OTAR) | KAA0276 | Standard Handheld Microphone KNG-M |
| ▶ KAA/KZA0583 | Multi-Cast Vote Scan Plus | KAA0290 | Handheld Programming Microphone |

		700/800	VHF	UHF Range 1	UHF Range 2
Frequency Range/Bandsplits	700 MHz 800 MHz	763-776, 793-806 MHz 806-824,851-870 MHz	136-174 MHz	380-470 MHz	440-520 MHz
Channel Spacing		25/12.5 KHz	30/25/12.5 KHz	25/12.5 KHz	25/12.5 KHz
Maximum Frequency Separation		Full Band	Full Band	Full Band	Full Band
Audio Output Power at Rated		500 mW	500 mW	500 mW	500 mW
Frequency Stability (-30°C to +60°C, +25°C Reference)		±.00015%	±.00015%	±.00015%	±.00015%
Analog Sensitivity	12dB SINAD	0.25µV	0.20µV	0.25µV	0.25µV
Digital Sensitivity	1% BER	0.32µV	0.27µV	0.32µV	0.32µV
	5% BER	0.25 µV	0.20 µV	0.25 µV	0.25 µV
Selectivity	25 KHz	75 dB	80 dB	78 dB	77 dB
	12.5 KHz	67 dB	70 dB	67 dB	67 dB
Intermediation		-75 dB	-78 dB	-75 dB	-75 dB
Spurious Rejection		-75 dB	-80 dB	- 80 dB	- 80 dB
FM Hum and Noise	25 KHz	-50 dB	-50 dB	-50 dB	-50 dB
	12.5 KHz	-44 dB	-44 dB	-44 dB	-44 dB
Audio Distortion @ 15 Watts		3%	3%	3%	3%

Transmitter - Minimum Performance Specifications

		700/800	VHF	UHF Range 1	UHF Range 2
Frequency Range/Bandsplits	700 MHz 800 MHz	763-776, 793-806 MHz 806-824,851-870 MHz	136-174 MHz	380-470 MHz	440-520 MHz
Channel Spacing		25/12.5 KHz	30/25/12.5 KHz	25/12.5 KHz	25/12.5 KHz
Maximum Frequency Separation		Full Band	Full Band	Full Band	Full Band
Rated RF Output Power		10-35 Watts	10-50 Watts 25-100 Watts	10-50 Watts	10-50 Watts
Frequency Stability (-30°C to +60°C, +25°C Reference)		±.00005%	±.00005%	±.00005%	±.00005%
Modulation Limiting		±5/4/2.5 KHz	±5/2.5 KHz	±5/2.5 KHz	±5/2.5 KHz
Emissions (Conducted and Radiated)		-75 dB	-75 dB	-75 dB	-75 dB
Audio Response		+1, -3 dB	+1, -3 dB	+1, -3 dB	+1, -3 dB
FM Hum & Noise	700 MHz 800 MHz	-45 dB	-45 dB	-45 dB	-45 dB
Audio Distortion	700 MHz 800 MHz	1.25%	1.25%	1.25%	1.25%

GPS Specifications

Channels	50
Tracking Sensitivity	<-155 dBm
Accuracy	<6 meters (95%)
Cold Start	<32 seconds (95%)
Hot Start	<1 second (95%)
Mode of Operation	Autonomous (Non-Assisted) GPS

Signaling

Signaling Rate	9.6Kbps(FDMA) / 12Kbps(TDMA) / 1.2Kbps (MDC)
Digital ID Capacity	16,777,216 (Conventional and Trunking)
Network Access Codes	4096 per TIA 102
Project 25 Talk Group IDs	65,535 (Conventional and Trunking)
Error Correction	Soft Decision, Golay, BCH, Reed-Solomon
Modulation	FM, C\$FM, C-QPSK, H-CPM, H-DQPSK



Standard Control Head

- Full Color Touch screen
- 5 Line display: Status Icons, three customized display lines of 14 characters, 4 programmable touch keys and menu touch key
- 3 x 4 Keypad microphone with navigation keys and 3 programmable function keys Dash and Remote Mount Configurations
- Multiple Control Heads supported: Single, dual and triple allow full control of the transceiver from multiple positions
- Dual 15 watt external speak outputs per control head

KNG Mobile Military Standards C,D,E, F, & G

	MIL-STD 810C		MIL-STD 810D		MIL-STD 810E		MIL-STD 810F		MIL-STD 810G	
	Method	Proc. /Cat.	Method	Proc. /Cat.	Method	Proc. /Cat.	Method	Proc. /Cat.	Method	Proc. /Cat.
Low Pressure	500.1	I	500.2	II	500.3	II	500.4	II	500.5	II
High temperature	501.1	I, II	501.2	I/A1, II/A1	501.3	I/A1, II/A1	501.4	I/Hot, II/Hot	501.5	I, II
Low Temperature	502.1	I	502.2	I/C3, II/C1	502.3	I/C3, II/C1	502.4	I/C3, II/C1	502.5	I, II
Temperature Shock	503.1	–	503.2	I/A1C3	503.3	I/A1C3	503.4	I	503.5	I (D)
Solar Radiation	505.1	II	505.2	I	505.3	I	505.4	I	505.5	I (A1)
Rain	506.1	I, II	506.2	I, II	506.3	I, II	506.4	I, III	506.5	I, III
Humidity	507.1	II	507.2	II	507.3	II	507.4	–	507.5	--
Salt Fog	509.1	–	509.2	–	509.3	–	509.4	–	509.5	--
Blowing Dust	510.1	I	510.2	I	510.3	I	510.4	I	510.5	I, II
Vibration	514.2	VIII/F, Curve-W	514.3	I/10, II/3	514.4	I/10, II/3	514.5	I/24	514.6	I (4), II
Shock	516.2	I, II	516.3	I, IV	516.4	I/IV	516.5	I, IV	516.6	I, II, V, VI

Dimensions

	Inches	Millimeters
Mid Power Transceiver	2.5 x 6.5 x 8.5	63.5 x 165.1 x 215.9
High Power Transceiver	2.5 x 6.5 x 8.5	63.5 x 165.1 x 215.9
Remote Control Head	2.5 x 6.5 x 1.5	63.5 x 165.1 x 38.1
Mid/High Power Transceiver Weight	7.5 lbs	3.4 kg

Encryption

Supported Algorithms	AES-256, AES-128, DES-OFB, DES-CFB, ADP
Algorithm Capacity	Unlimited
Encryption Keys	1024 Storage Location Number (SLN)/Common Key Reference (CKR)
Frame Re-sync Interval	P25 Common Air Interface 300 mS
Keyloading	IAW TIA-102_AACD (KVL-3000/4000)
Synchronization	OFB- Output Feedback or CFB- Cyber Feedback
Vector Generator	National Institutes of Standards
Type	Digital Encryption
Key Storage	Programmable Volatile / Non-Volatile
Key Erasure	Keyboard Command and KMF
Standards	FIPS-140-2 FIPS 197

Transmitter Certifications

700/800 MHz (FCC/IC)	K95KNGM800C / 2116A-KNGM800C
VHF (FCC/IC/JF-12/NTIA)	K95KNGM150 / 2116A-KNG-M150 / JF-12-10289 / SPS-18988/1
UHF Range 1 (FCC/IC/JF-12/NTIA)	K95KNGM400 / 2116A-KNG-M400 / JF-12-10289 / SPS-18988/1
UHF Range 2 (FCC/IC)	K95KNGM500 / 2116A-KNG-M500

Other Certifications

P25 Compliance Assessment (P25CAP) Performance	Trunked and Conventional Performance Class A
P25 Compliance Assessment (P25CAP) Interoperability	Motorola, Harris, EF Johnson, Airbus, Daniels